

# ESOTERIC

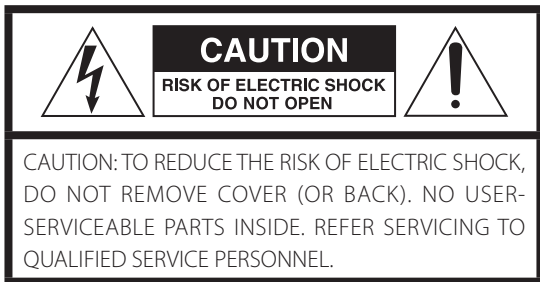
## *Grandioso*

*Analog Turntable*

|                         |    |
|-------------------------|----|
| OWNER'S MANUAL.....     | 3  |
| MODE D'EMPLOI.....      | 29 |
| MANUAL DEL USUARIO..... | 55 |



# IMPORTANT SAFETY INSTRUCTIONS



The lightning flash with arrowhead symbol, within an equilateral triangle, is intended to alert the user to the presence of uninsulated "dangerous voltage" within the product's enclosure that may be of sufficient magnitude to constitute a risk of electric shock to persons.



The exclamation point within an equilateral triangle is intended to alert the user to the presence of important operating and maintenance (servicing) instructions in the literature accompanying the appliance.

**WARNING: TO PREVENT FIRE OR SHOCK HAZARD, DO NOT EXPOSE THIS APPLIANCE TO RAIN OR MOISTURE.**

## CAUTION

- DO NOT REMOVE THE EXTERNAL CASES OR CABINETS TO EXPOSE THE ELECTRONICS. NO USER SERVICEABLE PARTS ARE INSIDE.
- IF YOU ARE EXPERIENCING PROBLEMS WITH THIS PRODUCT, CONTACT THE STORE WHERE YOU PURCHASED THE UNIT FOR A SERVICE REFERRAL. DO NOT USE THE PRODUCT UNTIL IT HAS BEEN REPAIRED.
- USE OF CONTROLS OR ADJUSTMENTS OR PERFORMANCE OF PROCEDURES OTHER THAN THOSE SPECIFIED HEREIN MAY RESULT IN HAZARDOUS RADIATION EXPOSURE.

- 1) Read these instructions.
- 2) Keep these instructions.
- 3) Heed all warnings.
- 4) Follow all instructions.
- 5) Do not use this apparatus near water.
- 6) Clean only with dry cloth.
- 7) Do not block any ventilation openings. Install in accordance with the manufacturer's instructions.
- 8) Do not install near any heat sources such as radiators, heat registers, stoves, or other apparatus (including amplifiers) that produce heat.
- 9) Do not defeat the safety purpose of the polarized or grounding-type plug. A polarized plug has two blades with one wider than the other. A grounding type plug has two blades and a third grounding prong. The wide blade or the third prong are provided for your safety. If the provided plug does not fit into your outlet, consult an electrician for replacement of the obsolete outlet.
- 10) Protect the power cord from being walked on or pinched particularly at plugs, convenience receptacles, and the point where they exit from the apparatus.

- 11) Only use attachments/accessories specified by the manufacturer.

- 12) Use only with the cart, stand, tripod, bracket, or table specified by the manufacturer, or sold with the apparatus. When a cart is used, use caution when moving the cart/apparatus combination to avoid injury from tip-over.



- 13) Unplug this apparatus during lightning storms or when unused for long periods of time.

- 14) Refer all servicing to qualified service personnel. Servicing is required when the apparatus has been damaged in any way, such as power-supply cord or plug is damaged, liquid has been spilled or objects have fallen into the apparatus, the apparatus has been exposed to rain or moisture, does not operate normally, or has been dropped.

- The apparatus draws nominal non-operating power from the AC outlet with its POWER or STANDBY/ON switch not in the ON position.
- The mains plug is used as the disconnect device; the disconnect device shall remain readily operable.
- Caution should be taken when using earphones or headphones with the product because excessive sound pressure (volume) from earphones or headphones can cause hearing loss.

## WARNING

Products with Class **I** construction are equipped with a power supply cord that has a grounding plug. The cord of such a product must be plugged into an AC outlet that has a protective grounding connection.

**IN USA/CANADA, USE ONLY ON 120V SUPPLY.**

## CAUTION

- Do not expose this apparatus to drips or splashes.
- Do not place any objects filled with liquids, such as vases, on the apparatus.
- Do not install this apparatus in a confined space such as a book case or similar unit.
- The apparatus should be located close enough to the AC outlet so that you can easily reach the power cord plug at any time.
- If the product uses batteries (including a battery pack or installed batteries), they should not be exposed to sunshine, fire or excessive heat.
- CAUTION for products that use replaceable lithium batteries: there is danger of explosion if a battery is replaced with an incorrect type of battery. Replace only with the same or equivalent type.

## Supplier's Declaration of Conformity

Model number: Grandioso T1

Trade name: ESOTERIC

Responsible party: 11 Trading Company, LLC

Address: 3502 Woodview Trace #200 Indianapolis, IN 46268 U.S.A.

URL: <https://11tradingcompany.com/contact-us/>

This device complies with Part.15 of FCC Rules.

Operation is subject to the following two conditions:

- 1) This device may not cause harmful interference
- 2) This device must accept any interference received, including interference that may cause undesired operation.



### Information

This equipment has been tested and found to comply with the limits for a Class B digital device, pursuant to Part 15 of the FCC Rules. These limits are designed to provide reasonable protection against harmful interference in a residential installation. This equipment generates, uses, and can radiate radio frequency energy and, if not installed and used in accordance with the instructions, may cause harmful interference to radio communications. However, there is no guarantee that interference will not occur in a particular installation. If this equipment does cause harmful interference to radio or television reception, which can be determined by turning the equipment off and on, the user is encouraged to try to correct the interference by one or more of the following measures:

- Reorient or relocate the equipment and/or the receiving antenna.
- Increase the separation between the equipment and receiver.
- Connect the equipment into an outlet on a circuit different from that to which the receiver is connected.
- Consult the dealer or an experienced radio/TV technician for help.

### CAUTION

Changes or modifications not expressly approved by the party responsible for compliance could void the user's authority to operate the equipment.

## Model for Canada

Innovation, Science and Economic Development Canada's

Compliance Statement:

This Class B digital apparatus complies with Canadian ICES-003.

## Model for Europe



This product complies with the European Directives request, and the other Commission Regulations.

## Model for UK

This product complies with the applicable UK regulations.



## For European Customers

### Disposal of electrical and electronic equipment and batteries and/or accumulators

- a) All electrical/electronic equipment and waste batteries/accumulators should be disposed of separately from the municipal waste stream via collection facilities designated by the government or local authorities.
- b) By disposing of electrical/electronic equipment and waste batteries/accumulators correctly, you will help save valuable resources and prevent any potential negative effects on human health and the environment.
- c) Improper disposal of waste electrical/electronic equipment and batteries/accumulators can have serious effects on the environment and human health because of the presence of hazardous substances in the equipment.
- d) The Waste Electrical and Electronic Equipment (WEEE) symbols, which show wheeled bins that have been crossed out, indicate that electrical/electronic equipment and batteries/accumulators must be collected and disposed of separately from household waste.  
If a battery or accumulator contains more than the specified values of lead (Pb), mercury (Hg), and/or cadmium (Cd) as defined in the Battery Directive (2006/66/EC, 2013/56/EU), then the chemical symbols **Pb, Hg, Cd** for those elements will be indicated beneath the WEEE symbol.
- e) Return and collection systems are available to end users. For more detailed information about the disposal of old electrical/electronic equipment and waste batteries/accumulators, please contact your city office, waste disposal service or the shop where you purchased the equipment.



ESOTERIC is a trademark of TEAC CORPORATION, registered in the U.S. and other countries.

Other company names, product names and logos in this document are the trademarks or registered trademarks of their respective owners.

# Contents

Thank you for purchasing this ESOTERIC product.

Read this manual carefully to get the best performance from this product. After reading it, keep it in a safe place with the warranty card for future reference.

|   |    |
|---|----|
| IMPORTANT SAFETY INSTRUCTIONS .....         | 3  |
| Before use .....                            | 6  |
| Precautions for use .....                   | 6  |
| Maintenance .....                           | 7  |
| Handling records .....                      | 7  |
| Connections.....                            | 8  |
| Main unit parts and functions.....          | 10 |
| Power supply unit parts and functions ..... | 12 |
| Installation .....                          | 13 |
| Basic operation .....                       | 21 |
| Setting mode.....                           | 22 |
| Settings .....                              | 22 |
| Troubleshooting.....                        | 24 |
| Specifications.....                         | 26 |
| Dimensional drawings.....                   | 27 |

### Included accessories

Check to be sure the box includes all the supplied accessories shown below. Please contact the store where you purchased this product if any of these accessories are missing or have been damaged during transportation.

#### Installation tools

- Spacer block × 1
- Height confirmation gauge × 1
- Installation rail (L) × 1
- Installation rail (R) × 1
- Unit protective covers × 2

Turntable mat × 1

DC Power cord × 1

Power cord × 1

Felt pads (for power supply unit) × 4

Handles × 2

Owner's manual (this document) × 1

Warranty card × 1

Tonearm TA-9D × 1\*

Tonearm TA-9D Owner's Manual × 1\*

Arm base × 1\*

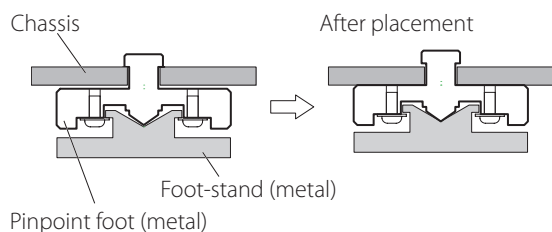
\*Not included with armless models

If an armless model is purchased, an arm base kit will also be necessary. We accept custom orders for arm base kits that support various types of arms.

### Note about power supply unit installation

High-precision metal pinpoint feet are attached to the bottom plate of the power supply unit.

The pinpoint feet and their stands are loose, but when this unit is placed in position, it is supported by these pinpoint feet, which effectively disperse vibrations.




- Apply the included felt pads to the bottoms of the foot-stands to avoid scratching the surface where this unit is placed.

- This equipment is very heavy, so take care to avoid injury when opening the packaging and when moving it. The base unit weighs 17 kg (37 1/2 lb), the platter weighs 19 kg (42 lb), the motor unit weighs 9 kg (19 7/8 lb) and the power supply unit weighs 18 kg (39 3/4 lb).
- Do not place anything on top of the main or power supply units.
- Do not install these units in locations that could become hot. This includes places that are exposed to direct sunlight or near a radiator, heater, stove or other heating equipment. Moreover, do not place it on top of an amplifier or other equipment that generates heat. Doing so could cause discoloration, deformation or malfunction.
- Place the main and power supply units in stable locations.
- In order to enable good heat dissipation, leave at least 20 cm (8") between these units and walls and other equipment when installing them. If you put them in a rack, for example, leave at least 5 cm (2") open above and 10 cm (4") open behind them. Failure to provide these gaps could cause heat to build up inside and result in fire.
- The voltage supplied to the power supply unit should match the voltage as printed on its back. If you are in any doubt regarding this matter, consult an electrician.
- Do not open the bodies of the units as this might result in damage to the circuitry or cause electric shock. If a foreign object should get into one of the units, contact your dealer.
- When removing the power plug from an outlet, always pull directly on the plug. Never pull on the cord itself.

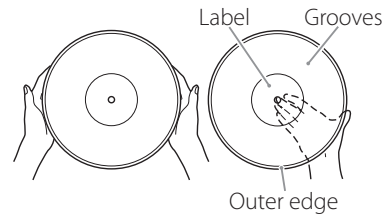
Use a soft dry cloth to wipe the surfaces of the units clean. For stubborn smudges, use a damp cloth that has been thoroughly wrung out to remove excess moisture.

- Never spray liquid directly on these units.
- Do not wipe with chemical cleaning cloths, thinner or other chemical agents. Doing so could damage the surfaces of the units.
- Avoid allowing rubber or plastic materials to touch the units for long periods of time because they could damage the cabinets.

 **For your safety, disconnect the power cord from the outlet before cleaning.**

## Holding records

When holding a record or removing it from its sleeve, avoid touching the grooves by holding the record by its label and edge with one hand or by holding it by its edge with both hands.



## Cleaning

Fingerprints and dust on a record can cause noise and the sound to skip, as well as damage the record itself and the stylus. Use a commercially-available record cleaner to clean records. Do not use thinner or anything other than a record cleaner. Such chemicals could harm the surface of the record.

When using a record cleaner, wipe the surface of the record in a circular motion, following the grooves.



## Precautions for use

Do not leave records in places that are exposed to direct sunlight or are very hot or very humid. Leaving a record in such a condition for a long time could result in warping, mold growth or other damage.

Do not stack multiple records or place heavy objects on top of them.

Do not leave records at an angle for long amounts of time, either.

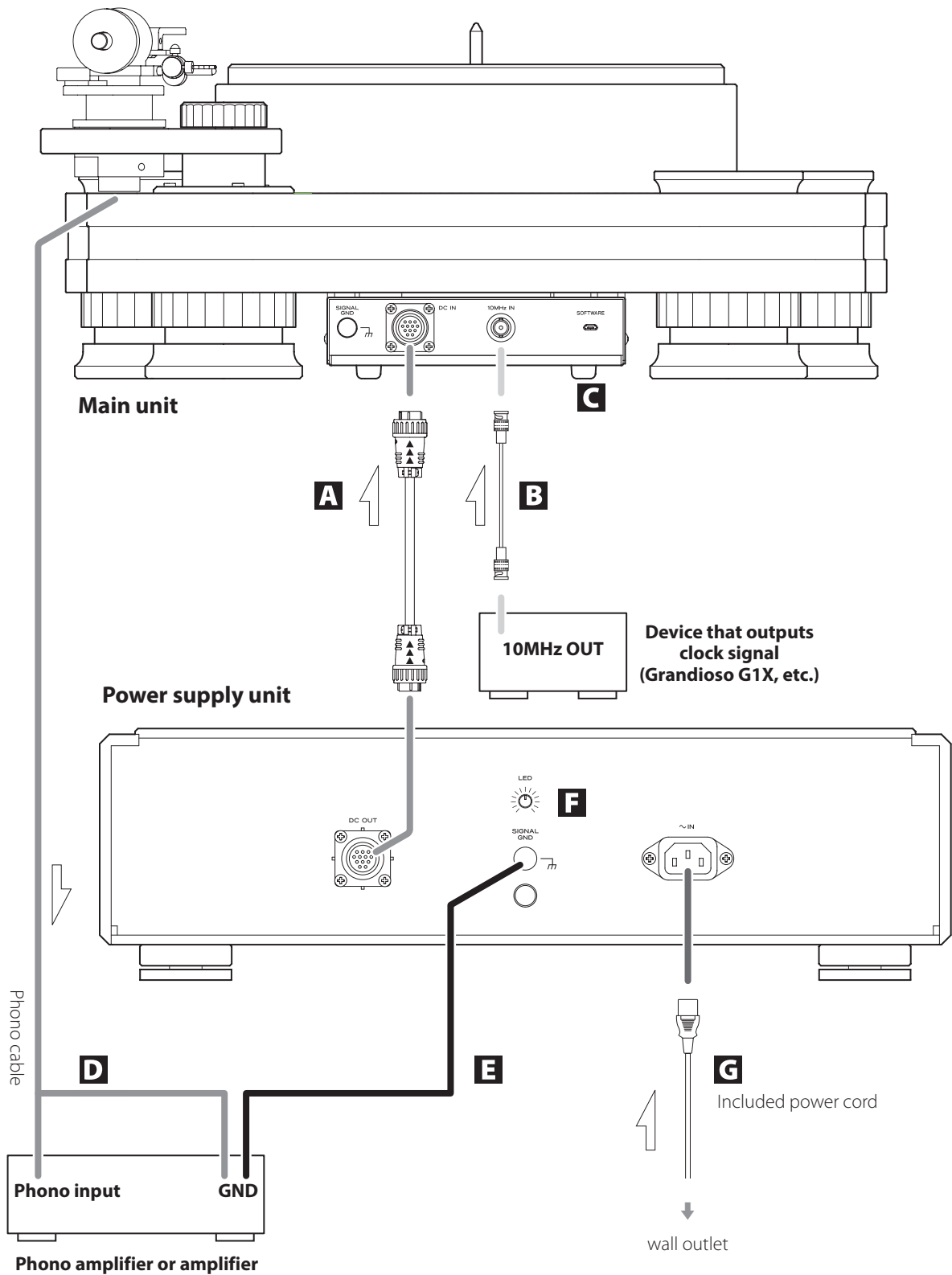
Doing so could result in warping or other damage.

Do not allow hard objects to directly touch the audio grooves. Doing so could cause scratches.

After you finish playing a record, always put it back into its sleeve for storage. Leaving a record unprotected could result in warping or scratching.

Do not use cracked records.

# Connections



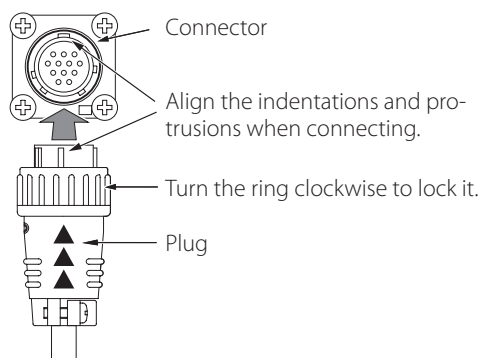


## A DC power input/output connectors (DC IN/DC OUT)

Use the included DC power cord to connect the DC power input (DC IN) connector of the main unit with the DC power output (DC OUT) connector of the power supply unit.

DC OUT → DC IN

- The power cord connected to the AC inlet should always be unplugged from an outlet before the DC power cord is connected or disconnected.
- The DC power cord has arrows printed on it. Connect it so that the arrows point in the direction shown in the illustration on page 8.  
Check the orientation of the indentations, protrusions and arrows of the DC power cord and hold it by its plug. Align the marks on the plug to the connector and insert it. Turn the ring clockwise to lock it. Reverse these procedures to disconnect it. When connecting or disconnecting the cord, do not angle or wiggle the plug.
- Be careful not to pinch your fingers in the ring when connecting or disconnecting the DC power cord.



**⚠ Never connect this to anything other than a Grandioso T1 main unit. Doing so could cause damage.**

## B 10MHz IN clock connector

Use this to input 10MHz clock synchronization signals. To use clock synchronization, connect the clock output connector of the device outputting the clock signal to the 10MHz IN clock connector on this unit. Then, set the external clock (CLK>) setting to IN (page 22).

**Use a commercially-available BNC coaxial cable for connection.**

- BNC coaxial cables with 50Ω or 75Ω impedance can be used.

## C SOFTWARE maintenance port

This is used for maintenance. Do not connect anything to this port unless instructed to do so by our service department.

## D Phono cable

**Use a commercially-available cable for connection.**

Always connect the grounding wire of the phono cable to the phono amplifier. Failure to connect it could result in ground hum (audible noise) from the power supply.

## E SIGNAL GND grounding terminal

The audio quality might be improved by connecting this grounding terminal to an amplifier or other device that is connected to the Grandioso T1.

- This is not a safety grounding terminal.

**If noise from speakers is conspicuous**

If a ground wire is connected to the grounding terminal of the Grandioso T1, disconnecting it could reduce noise. Use the method (connected/disconnected) that has the least noise.

## F LED brightness adjustment knob

Use this to adjust the brightness of the power indicator.

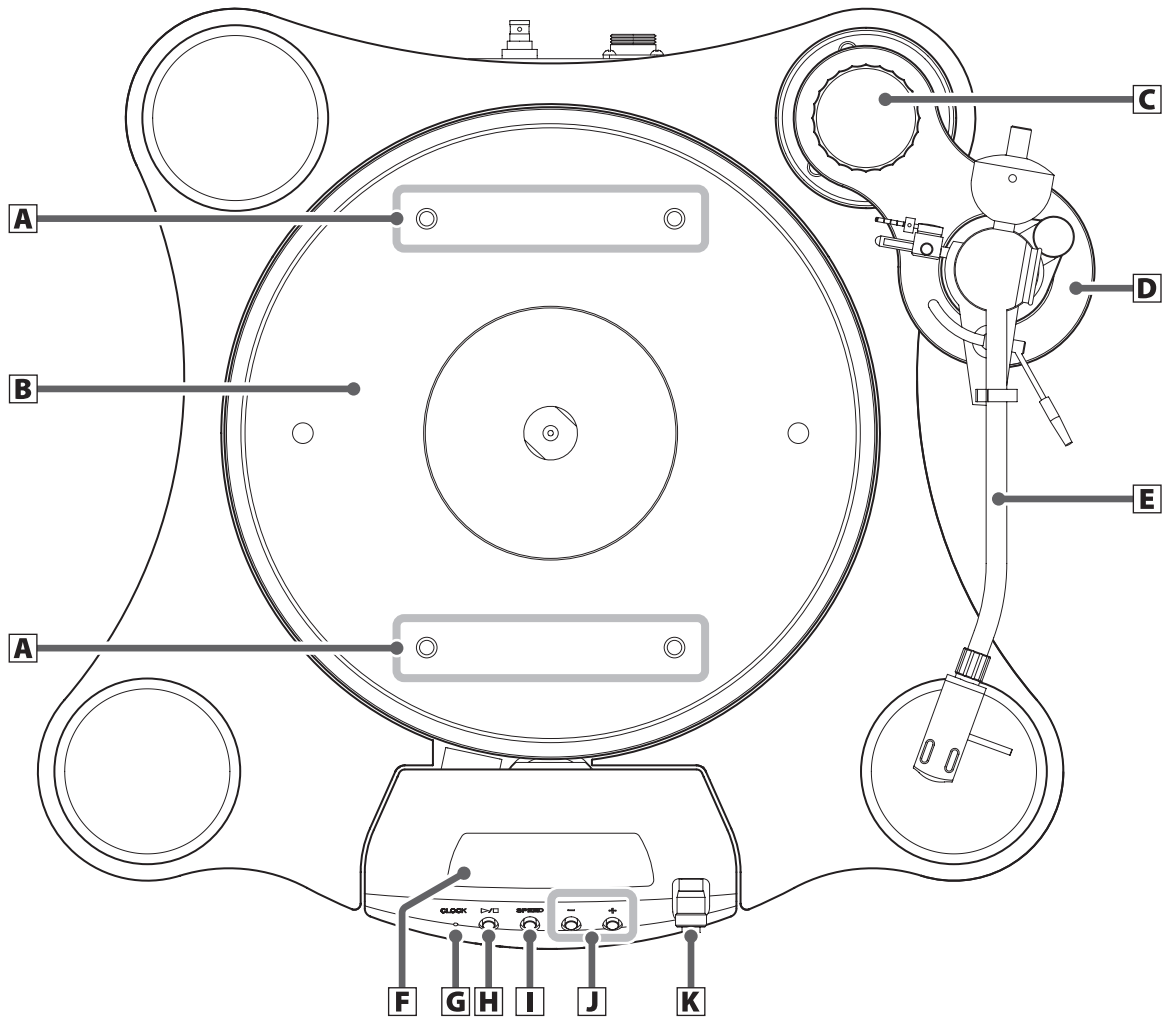
## G AC power inlet (~IN)

Connect the included AC power cord to this AC inlet. After completing all other connections, plug the power plug into a power outlet.

**⚠ Use only a genuine ESOTERIC power cord. Use of other power cords could result in fire or electric shock.**

**⚠ Disconnect the power plug from the outlet if you will not use the Grandioso T1 for a long time.**

# Main unit parts and functions



**A** Screw holes for handle attachment

**B** Platter

**C** Arm base attachment thumbscrew

This is not included with armless models.

**D** Arm base

This is not included with armless models.

If an armless model is purchased, an arm base kit will also be necessary. We accept custom orders for arm base kits that support various types of arms.

**E** Tonearm (TA-9D)

Prepare one for use with an armless model.

**F** Display

This shows various information.

**G** CLOCK indicator

This shows the clock synchronization status.

This indicator blinks during clock synchronization and lights when synchronization completes.

**H Play/stop (▶/■) button**

This starts and stops platter rotation.

Press this when the unit is off to turn it on.

Press and hold this (for about 5 seconds) when the unit is on to turn it off.

Press this when in setting mode to end making settings and return the display to its usual state (page 22).

**I SPEED button**

Select the rotation speed indicated on the record to be played.

Press this to switch between 33 1/3 and 45 RPM.

Press and hold this to enter setting mode (page 22).

Use this to change setting items when in setting mode.

Press and hold this to end making settings.

**J Rotation speed adjustment (-/+ buttons)**

Use these to adjust the platter rotation speed precisely.

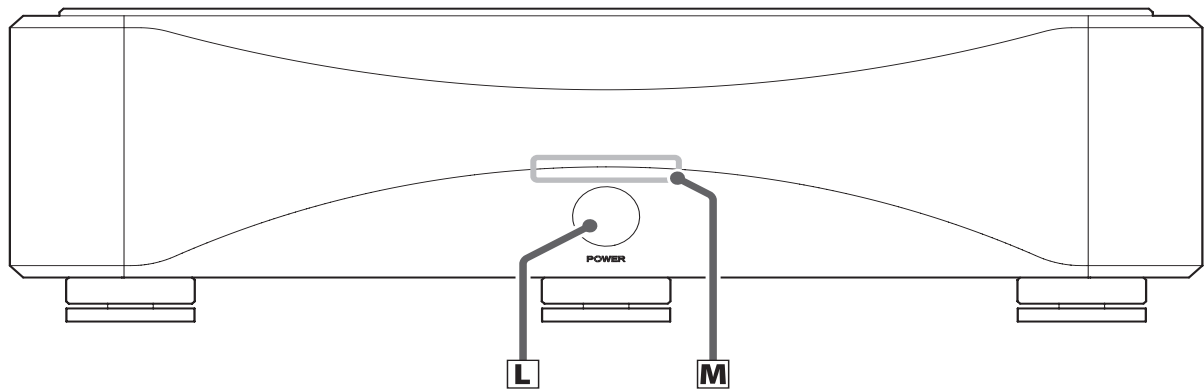
The speed can be adjusted  $\pm 12.0\%$  in 0.1% increments.

Use these to change setting values when in setting mode (page 22).

**K Micrometer adjustment knob**

Use this to adjust the space between the motor and the platter.

## Power supply unit parts and functions



### **L** POWER button

Press this to turn the Grandioso T1 on and off.  
Turn it off when not using it.

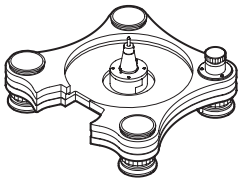
### **M** Power indicator

This lights when the Grandioso T1 is on.

# Installation

This product is provided in one set of three packages.

## Package 1



Base unit



Arm base

- This is not included with armless models.

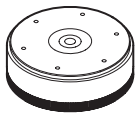


Spacer block



Unit protective covers  
(Pre-attached to base unit)

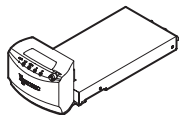
## Package 2



Platter



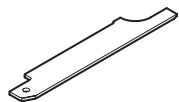
Handles



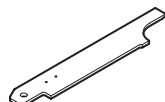
Motor unit



Height confirmation gauge  
(in accessory box)

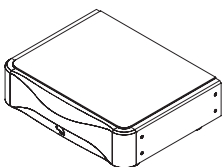


Installation rail (L)



Installation rail (R)

## Package 3



Power supply unit

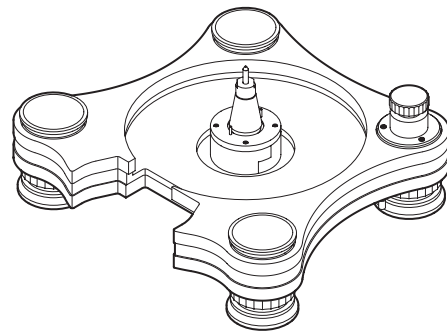


Tonearm (TA-9D)\*

\*A tonearm is not included with armless models.

**⚠** The base unit weighs 17 kg (37 1/2 lb), the platter weighs 19 kg (42 lb), the motor unit weighs 9 kg (19 7/8 lb) and the power supply unit weighs 18 kg (39 3/4 lb). This equipment is very heavy, so work with two or more people and take care to avoid injury when opening the packages and moving the parts.

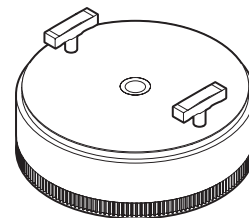
### 1 Install the base unit on a flat and level surface.



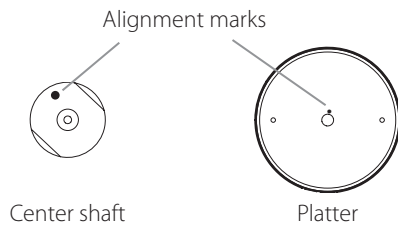
- Be mindful of the weight-bearing capacity of the installation location.
- Adjust the position of the base unit precisely at this stage. The following steps must be conducted with the base unit in a fixed position.

### 2 Attach the handles to the platter.

- After loosely screwing the handles all the way in, unscrew them slightly so that they are in a position that is easy to lift. Do not install the handles tightly.
- Be careful when handling the heavy platter, which weighs 19 kg (42 lb).

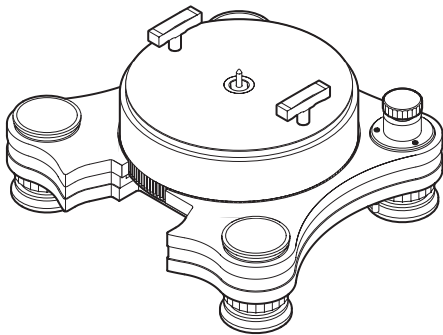


### 3 Attach the platter to the base unit.

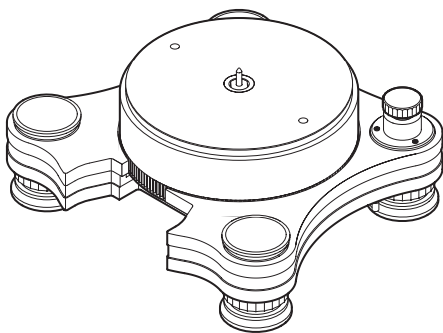


Marks have been placed in the positions that enable ideal precision for assembly of the center shaft and the platter. Adjust the orientation of the platter so that the marks align when it is installed.

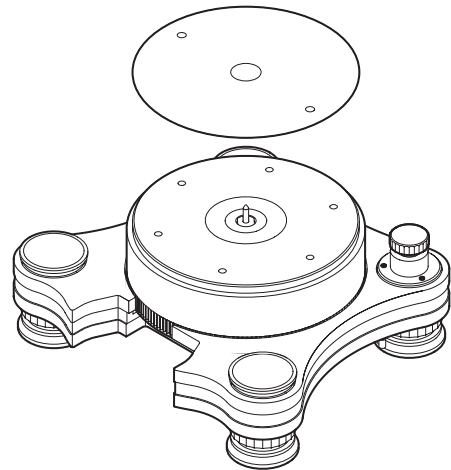
- The center shaft cannot be turned before the platter is installed.
- When installing the platter, put it on slowly and be careful not to catch any fingers between the platter and the base plate.



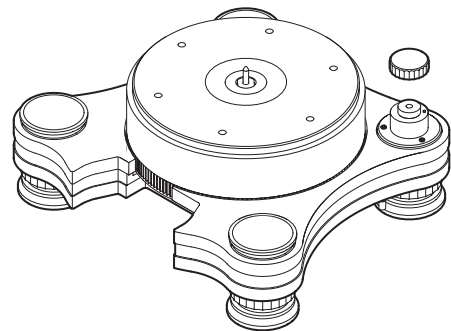
### 4 Remove the handles from the platter.



### 5 Remove the platter protection sheet.

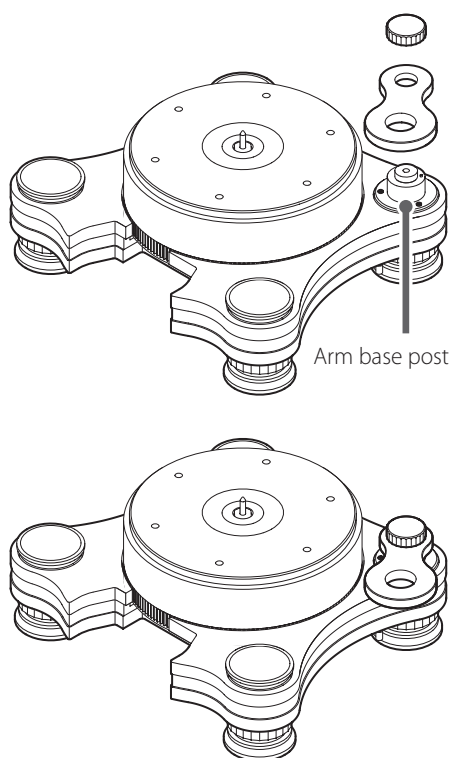


### 6 Remove the arm base attachment thumbscrew from the base unit.



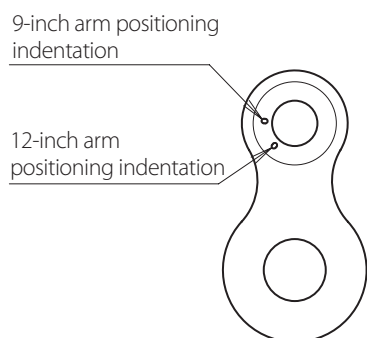
## 7 Attach the arm base to the base unit.

Align a positioning indentation on the underside of the arm base with the pin on the arm base post when installing it.



### ATTENTION

- To ensure level installation, be sure to install the arm before adjusting the height of the base unit.
- The arm base has 2 positioning indentations. Choose the indentation according to the length of the arm.

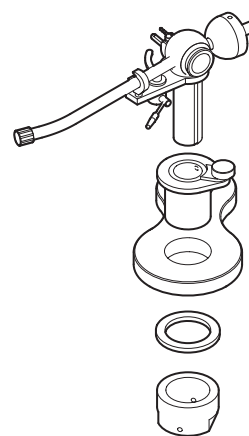


The TA-9D tonearm is a 9-inch arm.

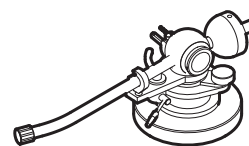
- When placed correctly, the tops of the arm base and the arm base post should be almost the same height. If there is a large height difference between the arm base and the arm base post, the positioning indentation and the pin might not be aligned. Try installing the arm base again.

## 8 Attach the tonearm to the arm base.

Refer to the owner's manual included with the tonearm and install it.



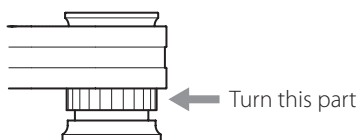
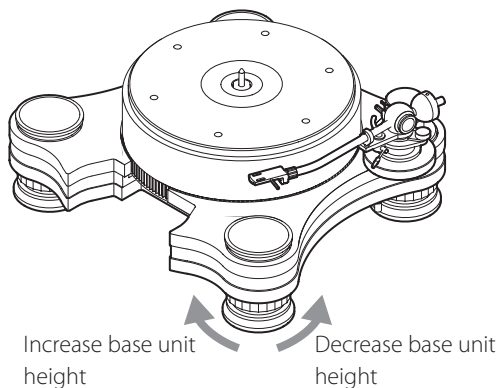
Tonearm installed in the arm base



## 9 Attach the headshell to the tonearm.

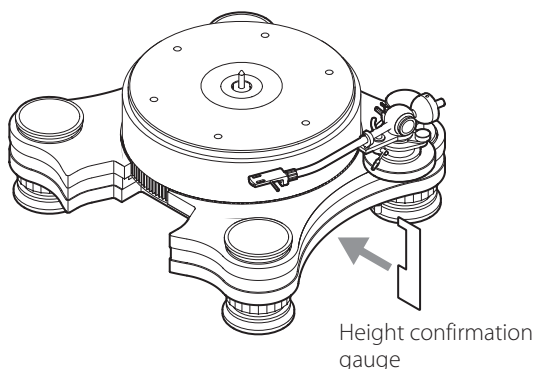
## 10 Adjust the heights of the base unit feet so that the platter is level.

In order to confirm the level placement of the turntable, we recommend using, for example, a commercially-available turntable leveling device.



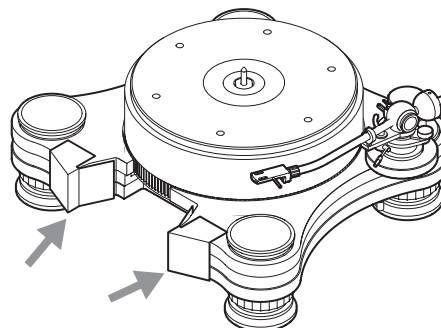
### ATTENTION

- Press down on the four corners of the base unit to confirm that the weight is distributed evenly on the four feet. If one of the feet is wobbly, adjust its height.
- To avoid lowering the feet too much, adjust the height within a range that allows the included height confirmation gauge to fit all four sides of the base unit. This will enable the motor unit to be placed under the base unit in a later step.



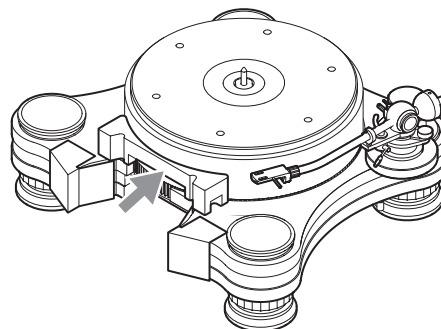
## 11 Confirm that the protective covers are attached to the base unit at the locations shown by the arrows.

Reattach them if they were removed during installation.



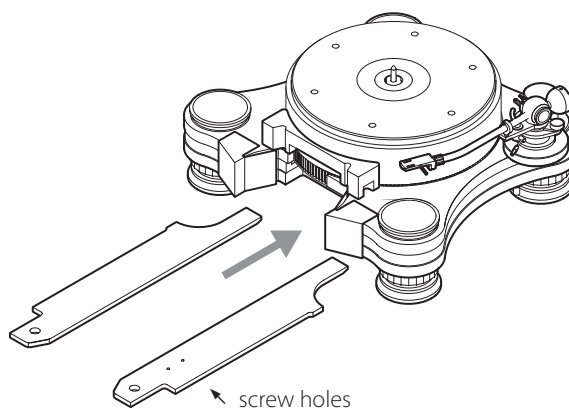
## 12 Place the spacer block on the base unit so that it touches the platter as shown in the illustration.

- Attach the spacer block with the proper up-down orientation.

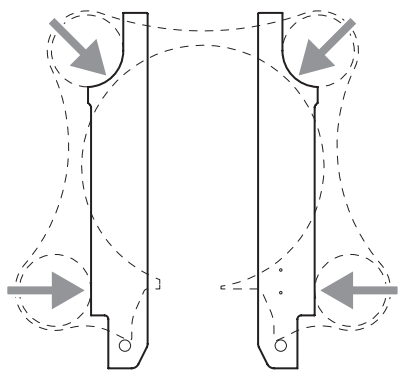
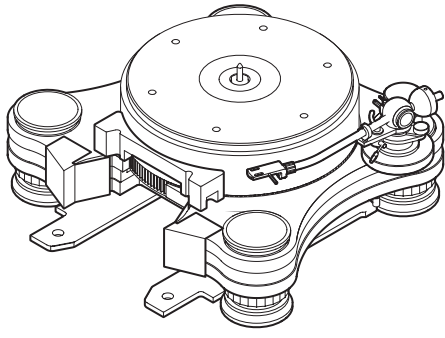


## 13 Place the installation rails between the base unit feet.

- The installation rail that has 2 screw holes is for the right side.

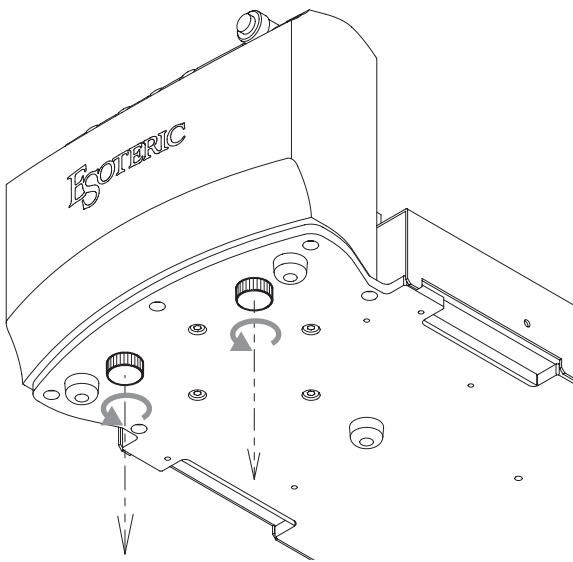






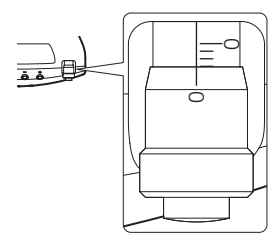
Place the installation rails so that they touch the base unit feet at the places shown by the arrows. (The base unit is shown by dashed lines for this explanation.)

**14 Remove the transportation screws from the bottom of the motor unit.**



- The removed screws will be necessary for transportation, so save them so they will not be lost. After installation is complete, attach the transportation screws to the screw holes in the installation rail (R).

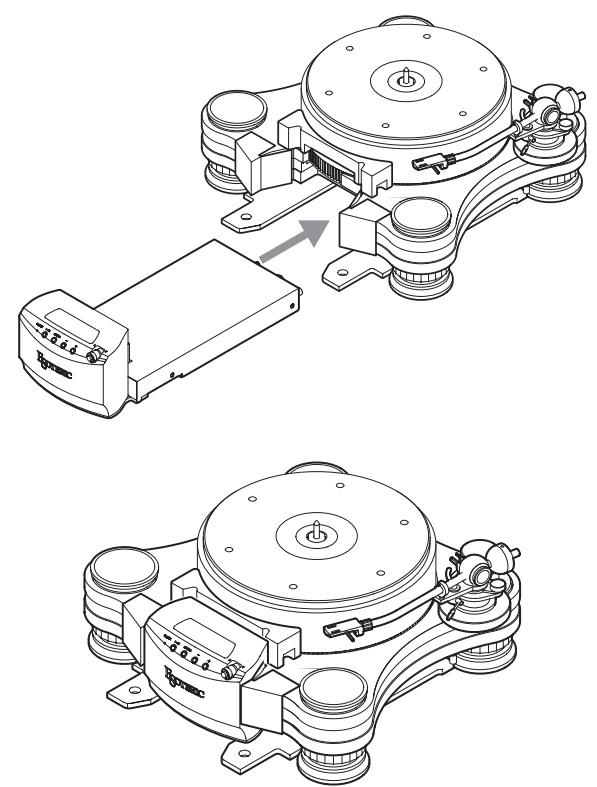
**15 Set the micrometer value for the motor unit to 3.**



**16 Following the installation rails, insert the motor unit.**

Insert the motor unit until there are no spaces between it, the platter and the spacer block.

- When inserting the motor unit, be careful not to let it touch the base unit.
- If the motor unit and the base unit touch, use the height confirmation gauge and adjust the base unit height.



- 17** Place the power supply unit near the base unit and connect it to the motor unit with the DC power cord (page 8).

When using a clock generator, connect it to the 10MHz IN connector.

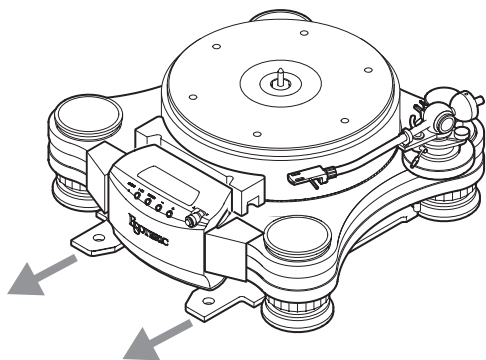
- 18** Use a phono cable (sold separately) to connect the tonearm with a phono amp or the phono input of an amp.

Use a commercially-available phono cable for connection.

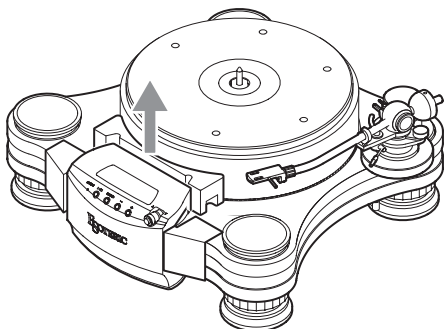
- Always connect the grounding wire of the phono cable, too.

- 19** While preventing the motor unit from moving by, for example, holding it down by hand, pull out the installation rails.

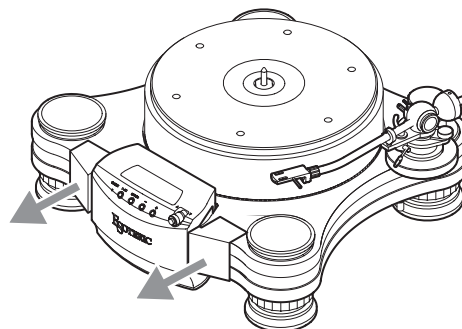
- If the motor unit is moved while pulling out the installation rails, put the rails back into their original positions. Insert the motor unit until there are no spaces between it, the platter and the spacer block. Then, pull out the installation rails.



- 20** Remove the spacer block from the platter.



- 21** Remove the protective covers attached to the base unit at the locations shown by the arrows.



- 22** Place the turntable mat on the platter.

- 23** Adjust the tonearm.

- Refer to the owner's manual for the tonearm being used and adjust it.
- After completing all connections, plug the power plug into a power outlet.

### ATTENTION

Save the tools used for installation because they will be needed when relocating the equipment.

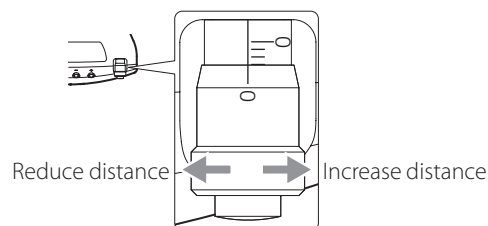
## Adjusting the distance between the platter and the magnetic driver

Adjusting the distance between the platter and the magnetic driver will change the sound when a record is playing.

The default position is 3.

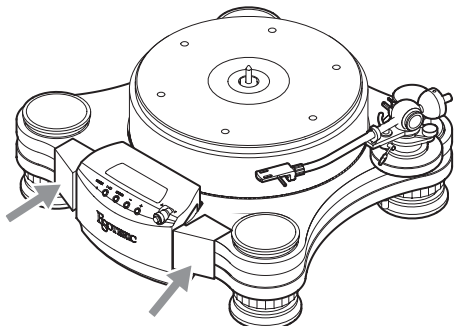
The adjustment range is 2-3.

Set the micrometer adjustment knob to the desired position.

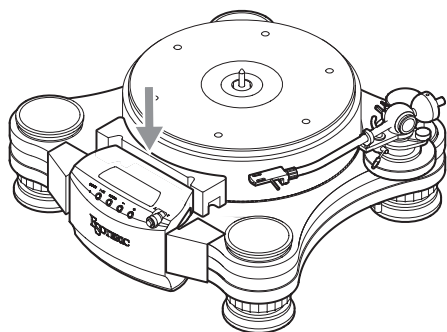


## Removing the motor unit

- 1** Attach the protective covers to the base unit at the locations shown by the arrows.

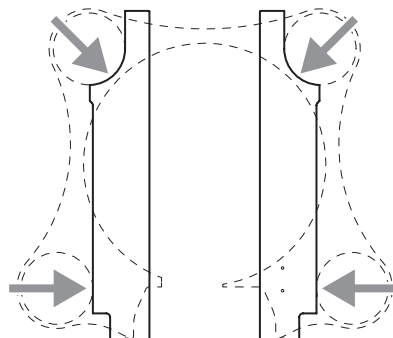
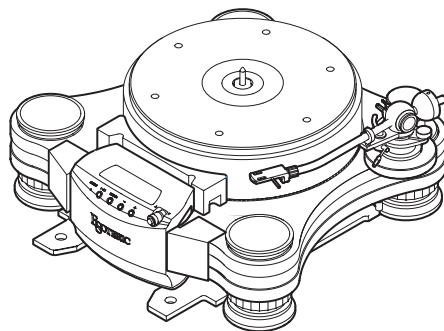
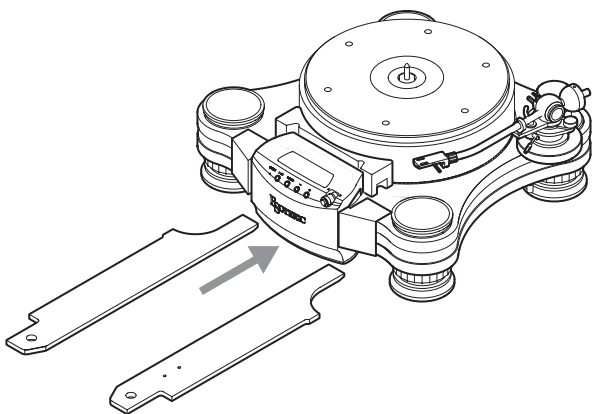


- 2** Place the spacer block between the motor unit and the platter as shown in the illustration.



- 3** Place the installation rails between the base unit feet.

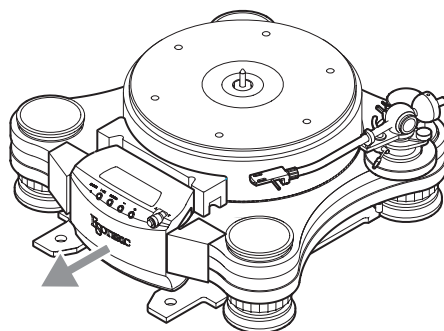
- Remove the transportation screws from the installation rails if they have been attached.



Place the installation rails so that they touch the base unit feet at the places shown by the arrows. (The base unit is shown by dashed lines for this explanation.)

- 4** Remove the cables connected to the motor unit and toner arm.

- 5** Pull out the motor unit.

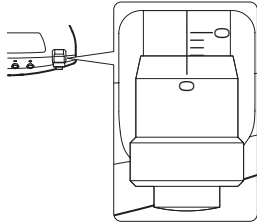


- 6** Remove the installation rails, spacer block and protective covers.

### Resetting the motor unit to its default position

If the motor unit has moved because of an earthquake, for example, follow the procedures below to fix its position.

#### **1** Set the micrometer value for the motor unit to 3.



#### **2** Conduct steps 1–3 in “Removing the motor unit” on page 19.

#### **3** Adjust the motor unit position.

Push in the motor unit until there are no spaces between it, the platter and the spacer block.

#### **4** Follow the installation procedures from step 19 (on page 18) to remove the tools.

#### **5** Set the micrometer value for the motor unit as desired.

## Playing records

**1 Press the POWER button to turn the Grandioso T1 on.**

**2 Place a record on the platter.**

When playing a record with a wide hole, use a record adapter.

**3 Press the SPEED button to select the rotation speed indicated on the record.**

The rotation speed can be set to 33 1/3 or 45 RPM.

**4 Press the play/stop (▶ / ■) button to start platter rotation.**

Wait until the rotation speed stabilizes.

**5 Use the arm lifter lever to raise the arm lifter.**

- You can also move the tonearm to above the record without raising the arm lifter and then slowly lower the tonearm to start playback.

**6 Move the tonearm to the track where you want to start playback.**

**7 Use the arm lifter lever to lower the arm lifter.**

The tonearm lowers slowly until the stylus touches the record and it starts playing.

### ATTENTION

- During playback, do not touch the tonearm or the record. Doing so could damage the stylus tip and cause scratches on the record.
- Do not forcibly stop platter rotation during playback. Since this product is not a turntable designed for DJs (direct drive), doing something like this could cause malfunction.

When a record is playing, feedback could occur if the volume is too loud. If this happens, lower the volume of the amplifier.

## When playback finishes

**1 Use the arm lifter lever to raise the arm lifter.**

**2 Return the tonearm to its original position.**

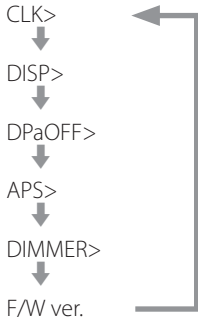
**3 Use the arm lifter lever to lower the arm lifter.**

**4 Press the play/stop (▶ / ■) button to stop platter rotation.**

## Changing settings

**1** Press and hold the **SPEED** button.

**2** Press the **SPEED** button repeatedly to select the item to change.



**3** Press the rotation speed adjustment (**-/+**) buttons to change the setting value.

**4** Press the play/stop (**▶/■**) button to end making settings.

Setting mode will also end and the ordinary display will reappear if nothing is done for ten or more seconds.

- Settings are retained even if the power plug is disconnected.

## Clock setting

### CLK>\*\*\*

Use this to set synchronization with an external clock.

- By default, the setting is OFF.

### OFF

Clock synchronization is not used.

### IN

In this mode, this unit is synchronized with the 10MHz clock signal input through its 10MHz IN clock connector from a clock generator.

The CLOCK indicator lights. The CLOCK indicator blinks when in the process of synchronizing or unable to synchronize.

- The clock frequency that can be input is 10 MHz.
- When a record is playing, do not stop the clock signal by turning off the clock generator power or disconnecting the BNC coaxial cable that is supplying the 10MHz clock signal.

### NOTE

When set to CLK>IN and synchronized with 10MHz clock, "CLK 10M" will be shown on the display.

## Display setting

### DISP>\*\*\*

Use this to change the display appearance.

- By default, the setting is NORM.

### NORM

This shows when playing/stopped and the RPM.

### RPM

This shows only the RPM.

### AUTO

This shows when playing/stopped and the RPM. When rotation is stable, the display will become unlit.

## Automatic display darkening setting

### DPaOFF>\*\*\*

Use this to set the display to darken automatically.

- By default, the setting is ON.
- If the OEL display is left on with the same indication for a long time, brightness irregularities can occur. For this reason, we recommend that you set the automatic display darkening function to ON.

### ON

If no operation is conducted for ten minutes, the display automatically turns off.

### OFF

The display will not turn off automatically.

- If no operation is conducted for ten minutes, the display will dim to DIMMER>1 brightness to protect it from excessive wear.

## Automatic power saving setting

### APS>\*\*\*

The unit will automatically turn off if the platter has not rotated for the set amount of time.

- By default, the setting is OFF.

### OFF

The automatic power saving function is disabled.

### 30m

30 minutes

### 60m

60 minutes

### 90m

90 minutes

### 120m

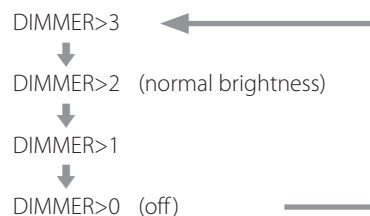
120 minutes

## Dimmer setting

### DIMMER>\*\*\*

Use this to adjust the brightness of the main unit's display.

- By default, the setting is 2.



- Even when set to DIMMER>1 or DIMMER>0, settings and error messages will be shown with normal brightness (DIMMER>2).

## Showing firmware versions

### F/W ver.

Press the rotation speed adjustment (+) button when "F/W ver." is shown to check the firmware versions.

### I/F \*\*\*\*

I/F firmware

### MTR \*\*\*\*

Motor driver firmware

# Troubleshooting

If you experience a problem with this product, please take a moment to review the following information before requesting service. Moreover, the problem might be caused by something other than this product. Please also check the operation of the connected units. If this product still does not operate correctly, contact the retailer where you purchased it.

## General

### The Grandioso T1 does not turn on.

- ➔ Confirm that the power cord is securely connected to both the inlet on the back of the power supply unit and a power outlet.
- ➔ Confirm that power is being supplied to the outlet to which the power cord is connected by, for example, connecting another device to it. Confirm that the DC power cord between the main and power supply units is properly connected.

### The Grandioso T1 automatically turns off.

- ➔ This is because the automatic power saving function turned the Grandioso T1 off.  
Press the POWER button to turn it on.  
Change the automatic power saving setting if necessary.

### The main unit does not respond when buttons are pressed.

- ➔ Multiple button presses without pause can cause the main unit to not respond. After pressing a button, wait momentarily for the main unit to respond.

### There is noise.

- ➔ Place the units as far away as possible from TVs and other devices that have strong magnetism.

## Clock sync

### The CLOCK indicator does not stop blinking.

- ➔ Set the clock (CLK>) to OFF when not using clock sync.
- ➔ A clock signal to which the main unit cannot synchronize might be being input. Check the connection of the clock connector and the settings of connected devices. The Grandioso T1 only supports 10MHz clock.

## Playing records

### The arm does not go down even when the arm lifter lever is lowered.

- ➔ Balance the tonearm and readjust the tracking force.

### The pitch is wrong.

- ➔ Select the rotation speed indicated on the record.

### Playback is not possible; there is noise.

- ➔ Reconnect the phono cable.
- ➔ Fingerprints and dust on a record can cause noise and the sound to skip. Use a commercially-available record cleaner to clean records.
- ➔ Clean the stylus.
- ➔ If the stylus is worn-out, replace it.
- ➔ Place the units as far away as possible from TVs, microwave ovens and other devices that emit electromagnetic waves.
- ➔ Plug the power cord into a different outlet.

### Noise occurs when a record is playing.

- ➔ Noise could occur if the tracking force is higher than cartridge's specified value. Readjust the tracking force so that it is the specified value.

### The sound is skipping.

- ➔ Vibrations will cause skipping. Place the units in stable locations.
- ➔ Clean the record.
- ➔ Do not use scratched records.
- ➔ Balance the tonearm and readjust the tracking force.  
The stylus and sound might skip if the tracking force is lower than the cartridge's specified value.
- ➔ If the stylus is bent, replace it.

### The motor unit or base unit has been displaced by an earthquake or other shock, for example.

- ➔ Follow the procedures in "Resetting the motor unit to its default position" on page 20 to readjust the position.

**Since the Grandioso T1 uses a microcontroller, external noise and other interference can cause it to malfunction. If this occurs, turn the product off once, and then restart it after waiting for about one minute.**



## Error message list

### CLOCK!

The unit cannot synchronize with a clock signal.

- ➔ See "Clock sync" on page 24.

### MOTOR ERR!

The motor driver detected a problem and stopped the motor.

- ➔ Press the play/stop (▶/■) button to restart the platter.
- ➔ If this appears frequently, contact the store where you purchased the unit.

### OverCRNT!

The motor driver detected excessive current and forced the motor to stop.

- ➔ Press the play/stop (▶/■) button to restart the platter.
- ➔ If this appears frequently, contact the store where you purchased the unit.

### PLAT ERR!

The platter is not rotating.

The motor stopped for this reason.

- ➔ Press the play/stop (▶/■) button to restart the platter.
- ➔ If this appears frequently, follow the procedures in "Installation" on page 13 to reinstall the product.

### START ERR!

A start-up error has occurred. The platter is taking a long time to reach the set RPM speed.

- ➔ The message will disappear when the platter reaches the set RPM speed.
- ➔ If this appears frequently, follow the procedures in "Installation" on page 13 to reinstall the product.

### ADJ ERR!

The platter is not rotating at the set RPM speed.

- ➔ The message will disappear when the platter reaches the set RPM speed.
- ➔ If this appears frequently, follow the procedures in "Installation" on page 13 to reinstall the product.

## Restoring factory settings

Settings are retained even if the power plug is disconnected.

Follow these procedures to restore the factory default settings and erase all changes in memory.

### 1 Turn the Grandioso T1 off.

If the power is on, press the POWER button on the power supply unit to turn it off and wait for more than 30 seconds.

### 2 Press the POWER button while holding down the SPEED button.

When "Setup CLR" (settings cleared) appears on the display, stop pressing the SPEED button.

### Note about condensation

If this product is brought from a cold outdoor environment into a warm room, or the heater has just been turned on in the room where it is located, for example, condensation might occur on operating parts, resulting in improper operation. If this occurs, leave the product on and wait one to two hours. This should enable normal playback.

# Specifications

## Turntable

|                                 |                           |
|---------------------------------|---------------------------|
| Rotation speed                  | 33 1/3 rpm, 45 rpm        |
| Rotation speed adjustment range | ±12% (in 0.1% increments) |
| Wow and flutter                 | 0.06 % or less (W.R.M.S)  |

## Clock input

|   |                             |
|---|-----------------------------|
| BNC                                     | 1                           |
| Input impedance                         | 50 Ω                        |
| Frequencies that can be input (±10 ppm) | 10 MHz                      |
| Input level                             | 0.5 to 1.0 Vrms (sine wave) |

## Base unit

|               |    |
|---------------|----|
| Arm base post | 1* |
|---------------|----|

(This is not included with armless models.)

\*Up to 3 tonearms can be mounted on this product.  
To install an additional tonearm, an arm base kit will also be necessary.  
We accept custom orders for arm base kits that support various types of arms.

## General

|                             |                             |
|-----------------------------|-----------------------------|
| Power supply                |                             |
| Model for Europe            | AC 230 V, 50 Hz             |
| Model for USA/Canada        | AC 120 V, 60 Hz             |
| Power consumption           | 9 W                         |
| In standby                  | 0.5 W or less               |
| Operating temperature range | +5°C to +35°C               |
| Operating humidity range    | 5% to 85% (no condensation) |
| Storage temperature range   | -20°C to +55°C              |

## Base unit

|  |   |
|--|---|
| External dimensions (W × H × D, including protrusions) | 497 × 215 × 436 mm (19 5/8" × 8 1/2" × 17 1/4") |
| Weight   | 17 kg (37 1/2 lb)                               |

## Platter

|   |                                    |
|---|------------------------------------|
| External dimensions (diameter × height) | Ø315.4 × 103 mm (12 1/2" × 4 1/8") |
| Weight                                  | 19 kg (42 lb)                      |

## Motor unit

|  |  |
|--|--|
| External dimensions (W × H × D, including protrusions) | 180 × 137 × 450 mm (7 1/8" × 5 1/2" × 17 3/4") |
| Weight   | 9 kg (19 7/8 lb)                               |

## Power supply unit

|  |   |
|--|---|
| External dimensions (W × H × D, including protrusions) | 445 × 162 × 447 mm (17 5/8" × 6 1/2" × 17 5/8") |
| Weight   | 18 kg (39 3/4 lb)                               |

## Included accessories

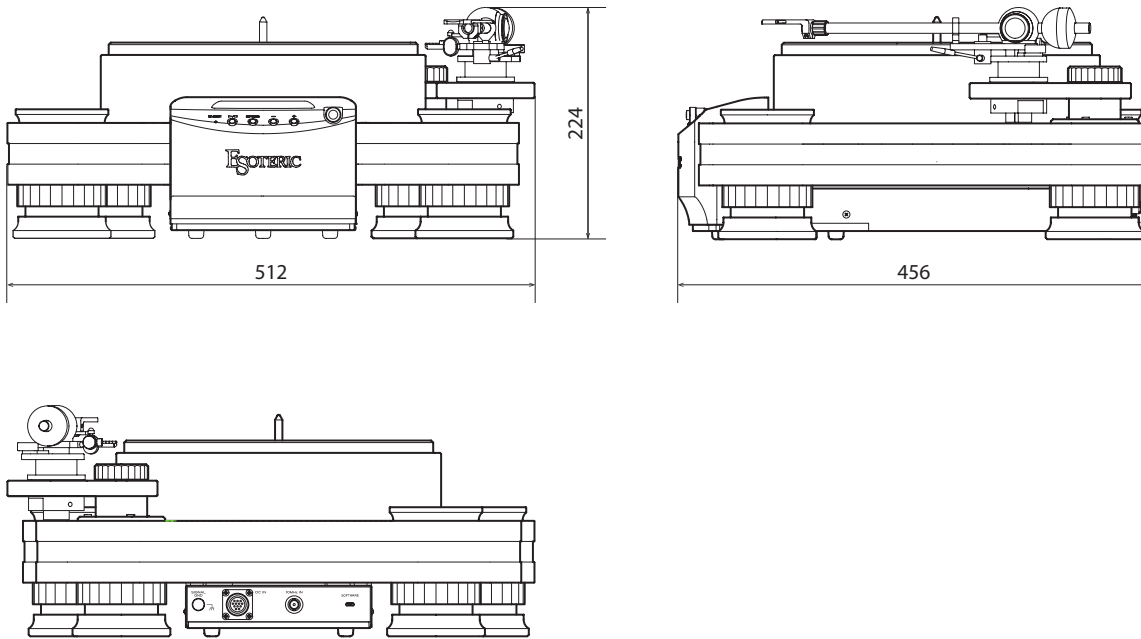
|                                   |      |
|-----------------------------------|------|
| Installation tools                |      |
| Spacer block                      | × 1  |
| Height confirmation gauge         | × 1  |
| Installation rail (L)             | × 1  |
| Installation rail (R)             | × 1  |
| Unit protective covers            | × 2  |
| Turntable mat                     | × 1  |
| DC Power cord                     | × 1  |
| Power cord                        | × 1  |
| Felt pads (for power supply unit) | × 4  |
| Handles                           | × 2  |
| Owner's manual (this document)    | × 1  |
| Warranty card                     | × 1  |
| Tonearm TA-9D                     | × 1* |
| Tonearm TA-9D Owner's Manual      | × 1* |
| Arm base                          | × 1* |

\*Not included with armless models

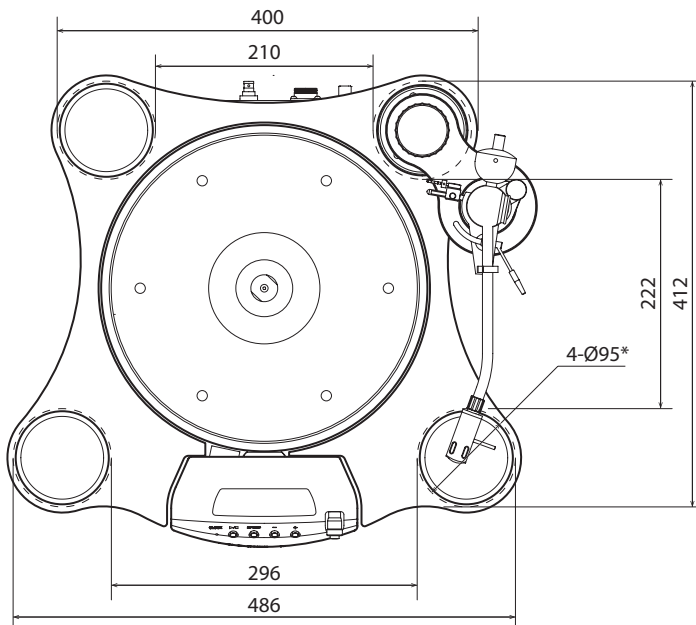
- Specifications and appearance are subject to change without notice.
- Weight and dimensions are approximate.
- Illustrations in this manual might differ slightly from production models.

# Dimensional drawings

## Main unit



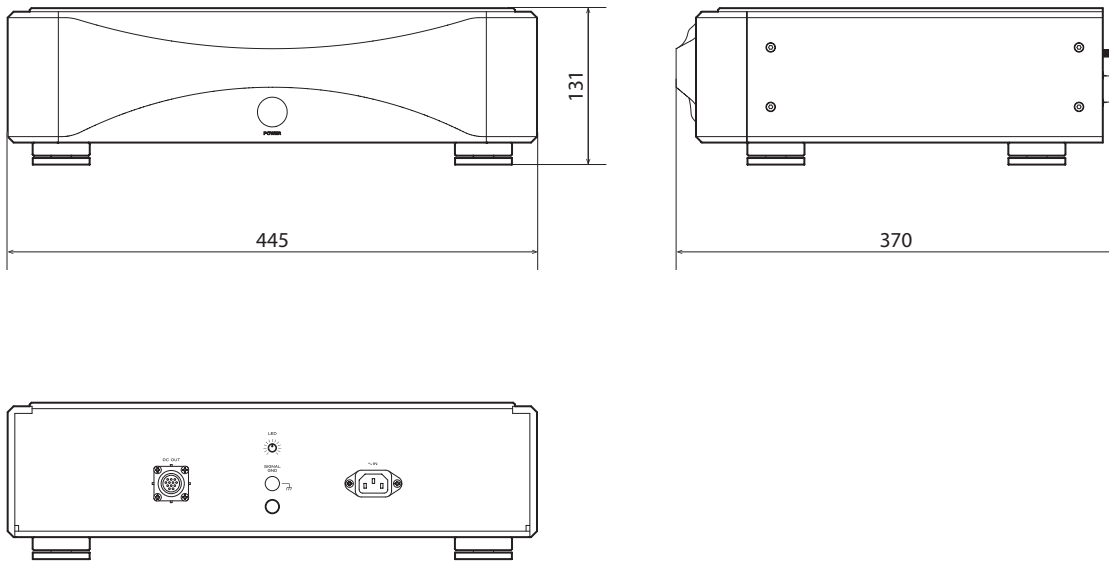
## Foot placement diagram



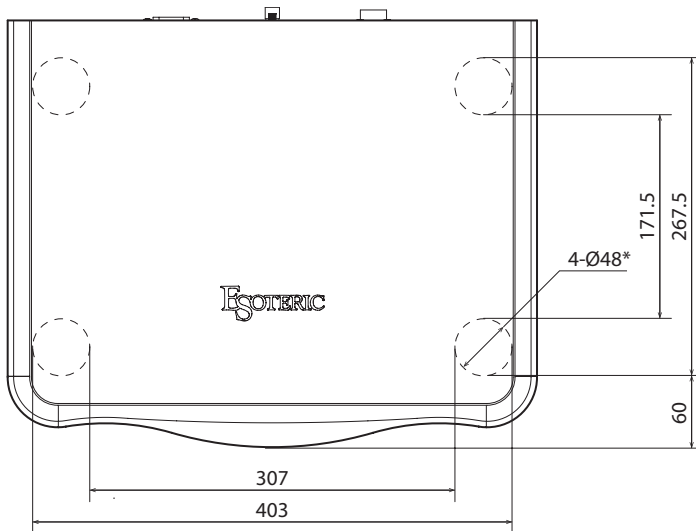
Dimensions in millimeters (mm)  
\*95 mm diameter feet x 4

# Dimensional drawings (continued)

## Power supply unit



## Foot placement diagram



Dimensions in millimeters (mm)  
\*48mm diameter feet x 4

# INSTRUCTIONS DE SÉCURITÉ IMPORTANTES



Le symbole d'éclair à tête de flèche dans un triangle équilatéral sert à prévenir l'utilisateur de la présence dans l'enceinte du produit d'une « tension dangereuse » non isolée d'une grandeur suffisante pour constituer un risque d'électrocution pour les personnes.



Le point d'exclamation dans un triangle équilatéral sert à prévenir l'utilisateur de la présence d'instructions importantes de fonctionnement et de maintenance (entretien) dans les documents accompagnant l'appareil.

**AVERTISSEMENT : POUR PRÉVENIR LES RISQUES D'INCENDIE ET D'ÉLECTROCUTION, N'EXPOSEZ PAS CET APPAREIL À LA PLUIE NI À L'HUMIDITÉ.**

## ATTENTION

- NE RETIREZ PAS LES CAPOTS EXTERNES OU BOÎTIERS POUR EXPOSER L'ÉLECTRONIQUE. AUCUNE PIÈCE INTERNE N'EST RÉPARABLE PAR L'UTILISATEUR.
- SI VOUS RENCONTREZ DES PROBLÈMES AVEC CE PRODUIT, CONTACTEZ LE MAGASIN OÙ VOUS AVEZ ACHETÉ L'UNITÉ. N'UTILISEZ PAS LE PRODUIT TANT QU'IL N'A PAS ÉTÉ RÉPARÉ.
- L'UTILISATION DE COMMANDES, DE RÉGLAGES OU LE SUIVI DE PROCÉDURES AUTRES QUE CE QUI EST DÉCRIT DANS CE DOCUMENT PEUT PROVOQUER UNE EXPOSITION À UN RAYONNEMENT DANGEREUX.

- 1) Lisez ces instructions.
- 2) Conservez ces instructions.
- 3) Tenez compte de tous les avertissements.
- 4) Suivez toutes les instructions.
- 5) N'utilisez pas cet appareil avec de l'eau à proximité.
- 6) Ne nettoyez l'appareil qu'avec un chiffon sec.
- 7) Ne bloquez aucune ouverture de ventilation. Installez-le conformément aux instructions du fabricant.
- 8) N'installez pas l'appareil près de sources de chaleur telles que des radiateurs, bouches de chauffage, poêles ou autres appareils (y compris des amplificateurs) dégageant de la chaleur.
- 9) Ne neutralisez pas la fonction de sécurité de la fiche polarisée ou de terre. Une fiche polarisée a deux broches, l'une plus large que l'autre. Une fiche de terre a deux broches identiques et une troisième broche pour la mise à la terre. La broche plus large ou la troisième broche servent à votre sécurité. Si la fiche fournie n'entre pas dans votre prise, consultez un électricien pour le remplacement de la prise obsolète.

10) Évitez de marcher sur le cordon d'alimentation et de le pincer, en particulier au niveau des fiches, des prises secteur, et du point de sortie de l'appareil.

11) N'utilisez que des fixations/accessoires spécifiés par le fabricant.

12) Utilisez-le uniquement avec des chariots, socles, trépieds, supports ou tables spécifiés par le fabricant ou vendus avec l'appareil. Si un chariot est utilisé, faites attention à ne pas être blessé par un renversement lors du déplacement de l'ensemble chariot/appareil.



13) Débranchez cet appareil en cas d'orage ou de non utilisation prolongée.

14) Confiez toute réparation à des techniciens de maintenance qualifiés. Une réparation est nécessaire si l'appareil a été endommagé d'une quelconque façon, par exemple si le cordon ou la fiche d'alimentation est endommagé, si du liquide a été renversé sur l'appareil ou si des objets sont tombés dedans, si l'appareil a été exposé à la pluie ou à l'humidité, s'il ne fonctionne pas normalement, ou s'il est tombé.

- L'appareil tire un courant nominal de veille de la prise secteur quand son interrupteur POWER ou STANDBY/ON n'est pas en position ON.
- La fiche secteur est utilisée comme dispositif de déconnexion et doit donc toujours rester disponible.
- Des précautions doivent être prises en cas d'utilisation d'écouteurs ou d'un casque avec le produit car une pression sonore excessive (volume trop fort) dans les écouteurs ou dans le casque peut causer une perte auditive.

## AVERTISSEMENT

Les produits ayant une construction de Classe **I** sont équipés d'un cordon d'alimentation avec une fiche de terre. Le cordon d'un tel produit doit être branché dans une prise secteur avec terre de sécurité.

**AUX USA/CANADA, UTILISEZ UNIQUEMENT UNE TENSION D'ALIMENTATION DE 120 V.**

## ATTENTION

- N'exposez pas cet appareil aux gouttes ni aux éclaboussures.
- Ne placez pas d'objet rempli de liquide sur l'appareil, comme par exemple un vase.
- N'installez pas cet appareil dans un espace confiné comme une bibliothèque ou un meuble similaire.
- L'appareil doit être placé suffisamment près de la prise de courant pour que vous puissiez à tout moment attraper facilement la fiche du cordon d'alimentation.
- Si le produit utilise des piles/batteries (y compris un pack de batteries ou des piles installées), elles ne doivent pas être exposées au soleil, au feu ou à une chaleur excessive.
- **PRÉCAUTION** pour les produits qui utilisent des batteries remplaçables au lithium : remplacer une batterie par un modèle incorrect entraîne un risque d'explosion. Remplacez-les uniquement par un type identique ou équivalent.

## Modèle pour le Canada

Déclaration de conformité d'Innovation, Sciences et Développement économique Canada :

CET APPAREIL NUMÉRIQUE DE LA CLASSE B EST CONFORME À LA NORME NMB-003 DU CANADA

## Modèle pour l'Europe



Ce produit est conforme aux directives européennes et aux autres réglementations de la Commission européenne.

### Pour les consommateurs européens

#### Mise au rebut des équipements électriques et électroniques et des piles et/ou accumulateurs

- a) Tout équipement électrique/électronique et pile/accumulateur hors d'usage doit être traité séparément de la collecte municipale d'ordures ménagères dans des points de collecte désignés par le gouvernement ou les autorités locales.
- b) En vous débarrassant correctement des équipements électriques/électroniques et piles/accumulateurs hors d'usage, vous contribuerez à la sauvegarde de précieuses ressources et à la prévention de potentiels effets négatifs sur la santé humaine et l'environnement.
- c) Le traitement incorrect des équipements électriques/électroniques et piles/accumulateurs hors d'usage peut avoir des effets graves sur l'environnement et la santé humaine en raison de la présence de substances dangereuses dans les équipements.

- d) Le symbole de déchets d'équipements électriques et électroniques (DEEE), qui représente une poubelle à roulettes barrée d'une croix, indique que les équipements électriques/électroniques et piles/accumulateurs doivent être collectés et traités séparément des déchets ménagers.



Si une pile ou un accumulateur contient plus que les valeurs de plomb (Pb), mercure (Hg) et/ou cadmium (Cd) spécifiées dans la directive sur les piles et accumulateurs (2006/66/CE, 2013/56/UE), alors les symboles **Pb, Hg, Cd** chimiques de ces éléments seront indiqués sous le symbole DEEE.



- e) Des systèmes de retour et de collecte sont disponibles pour l'utilisateur final. Pour des informations plus détaillées sur la mise au rebut des vieux équipements électriques/électroniques et piles/accumulateurs hors d'usage, veuillez contacter votre mairie, le service d'ordures ménagères ou le magasin dans lequel vous avez acquis l'équipement.

ESOTERIC is a trademark of TEAC CORPORATION, registered in the U.S. and other countries.

Les autres noms de société et de produit et les logos présents dans ce document sont des marques de commerce ou déposées de leurs détenteurs respectifs.

# Sommaire

Nous vous remercions d'avoir choisi ce produit ESOTERIC.

Lisez attentivement ce mode d'emploi pour tirer les meilleures performances de ce produit. Après l'avoir lu, gardez-le en lieu sûr avec la carte de garantie pour vous y référer ultérieurement.

|   |    |
|---|----|
| INSTRUCTIONS DE SÉCURITÉ IMPORTANTES.....           | 29 |
| Avant l'utilisation .....                           | 32 |
| Précautions d'emploi .....                          | 32 |
| Entretien .....                                     | 33 |
| Manipulation des disques.....                       | 33 |
| Branchements.....                                   | 34 |
| Parties et fonctions de l'unité principale.....     | 36 |
| Parties et fonctions de l'unité d'alimentation..... | 38 |
| Installation .....                                  | 39 |
| Fonctionnement de base .....                        | 47 |
| Mode de réglage .....                               | 48 |
| Réglages .....                                      | 48 |
| Guide de dépannage.....                             | 50 |
| Caractéristiques techniques.....                    | 52 |
| Schémas avec cotes .....                            | 53 |

## Accessoires fournis

Vérifiez que vous disposez bien de tous les accessoires indiqués ci-dessous. Veuillez contacter le magasin dans lequel vous avez acheté ce produit si l'un de ces accessoires manque ou a été endommagé durant le transport.

### Outils d'installation

- Entretoise × 1
- Jauge de confirmation de hauteur × 1
- Rail d'installation (G) × 1
- Rail d'installation (D) × 1
- Caches de protection de l'unité × 2

Tapis de platine × 1

Cordon d'alimentation CC × 1

Cordon d'alimentation × 1

Patins en feutre (pour l'unité d'alimentation) × 4

Poignées × 2

Mode d'emploi (ce document) × 1

Carte de garantie × 1

Bras de lecture TA-9D × 1\*

Mode d'emploi du bras de lecture TA-9D × 1\*

Base du bras × 1\*

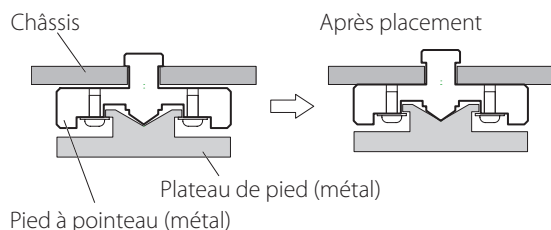
\*Non inclus dans les modèles sans bras

En cas d'achat d'un modèle sans bras, un kit de base pour bras sera également nécessaire. Nous acceptons les commandes personnalisées pour des kits de base de bras compatibles avec différents types de bras.

## Remarque concernant l'installation de l'unité d'alimentation

Des pieds à pointeau métallique de haute précision sont fixés à la plaque inférieure de l'unité d'alimentation.

Les pieds à pointeau et leur plateau de protection ne sont pas fixés de façon rigide, mais quand cette unité est posée à sa place, elle est soutenue par ces pieds à pointeau, qui dispersent efficacement les vibrations.




- Fixez les patins de feutre fournis sous les pieds de protection pour éviter de rayer la surface sur laquelle est placée cette unité.

- Cet équipement est très lourd, faites attention à ne pas vous blesser en ouvrant son emballage et en le déplaçant. L'unité de base pèse 17 kg, le plateau 19 kg, l'unité moteur 9 kg et l'unité d'alimentation 18 kg.
- Ne placez rien sur le dessus de l'unité principale ou de l'unité d'alimentation.
- N'installez pas ces unités dans un lieu qui pourrait chauffer. Cela comprend les endroits exposés directement au soleil ou près d'un radiateur, d'un chauffage, d'une cuisinière ou d'autres appareils chauffants. En outre, ne les placez pas au-dessus d'un amplificateur ou autre équipement dégageant de la chaleur. Cela pourrait causer une décoloration, une déformation ou un mauvais fonctionnement.
- Placez l'unité principale et l'unité d'alimentation électrique à des endroits stables.
- Afin de permettre une bonne dissipation de la chaleur, laissez au moins 20 cm entre ces unités et les murs et les autres équipements lors de l'installation. Si vous les placez par exemple sur une étagère, laissez 5 cm de libre au-dessus d'elles et 10 cm derrière. Ne pas laisser ces espaces peut faire monter la température au risque d'entraîner un incendie.
- La tension du courant fourni à l'unité d'alimentation électrique doit correspondre à la tension imprimée sur sa face arrière. Si vous avez des doutes à ce sujet, consultez un électricien.
- N'ouvrez pas les boîtiers des unités car cela peut endommager les circuits ou causer un choc électrique. Si un objet étranger pénètre dans une des unités, consultez votre revendeur.
- Quand vous débranchez la fiche d'alimentation d'une prise secteur, tirez toujours directement sur la fiche. Ne tirez jamais sur le cordon lui-même.



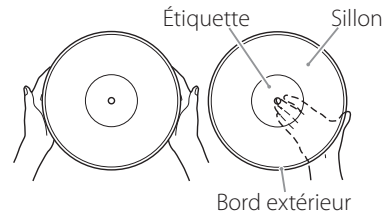
Utilisez un chiffon sec et doux pour nettoyer la surface des unités.  
Pour les taches tenaces, utilisez un chiffon humide soigneusement essoré afin d'éliminer l'excès d'humidité.

- Ne vaporisez jamais de liquide directement sur ces unités.
- N'utilisez pas de lingettes de nettoyage imbibées de produit chimique, de diluant ou d'autres agents chimiques. Cela pourrait endommager la surface des unités.
- Évitez un contact prolongé des unités avec des matériaux caoutchouteux ou plastiques car ceux-ci peuvent endommager les boîtiers.

 **Pour votre sécurité, débranchez le cordon d'alimentation de la prise secteur avant tout nettoyage.**

### Tenue des disques

Lors de la prise en mains d'un disque ou de sa sortie de la pochette, évitez de toucher le sillon en maintenant le disque d'une main entre son étiquette et son bord, ou en le tenant avec les deux mains par son bord.



### Nettoyage

Les traces de doigts et la poussière sur un disque peuvent provoquer du bruit et des sauts de son, ainsi qu'endommager le disque lui-même et la pointe. Utilisez un nettoyant pour disque du commerce pour nettoyer les disques. N'utilisez pas de diluant ni autre chose qu'un nettoyant pour disque. De tels produits chimiques pourraient abîmer la surface du disque.

Lors de l'utilisation d'un nettoyant pour disque, balayez la surface du disque de façon circulaire, en suivant le sillon.



### Précautions d'emploi

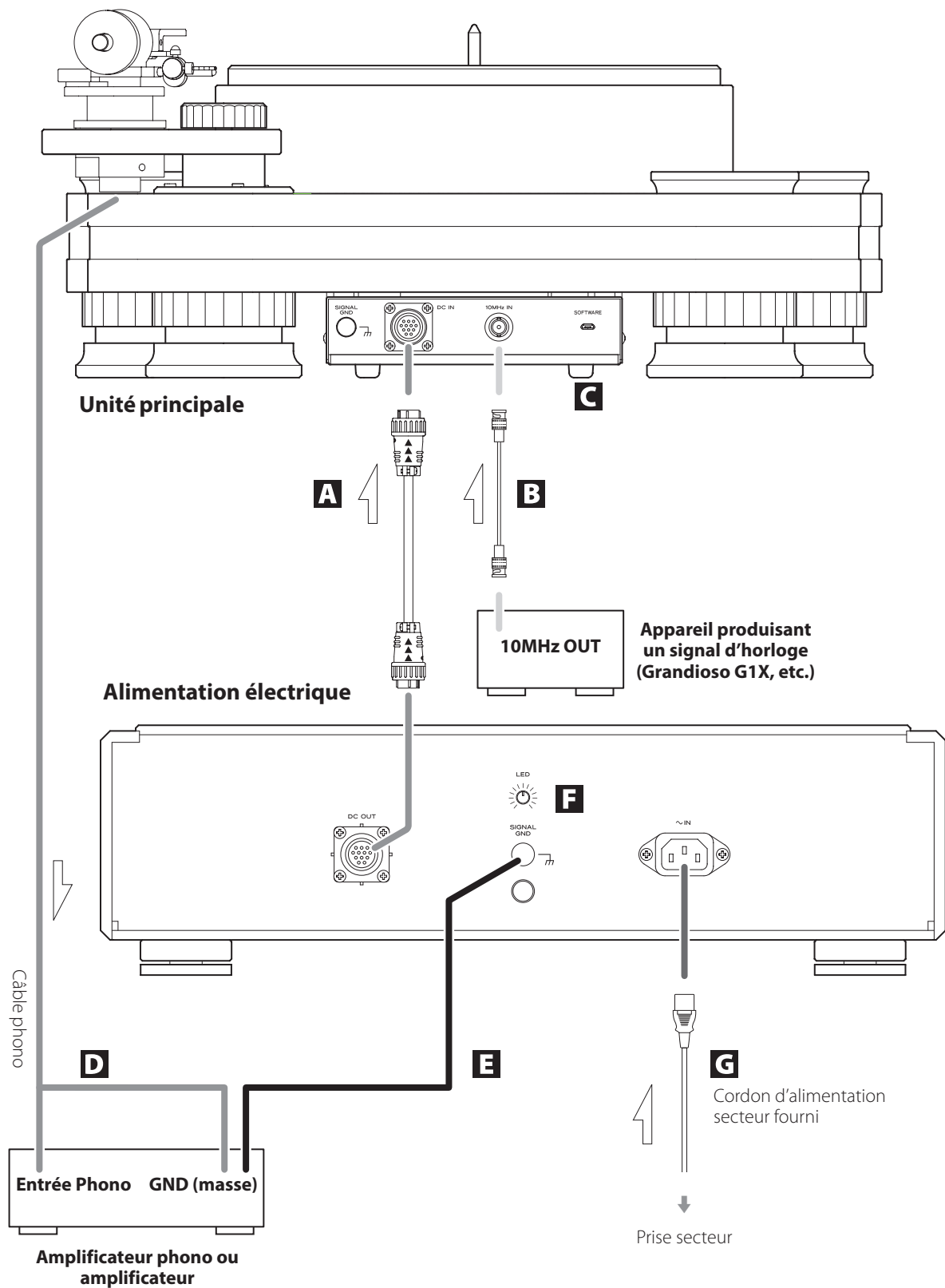
Ne laissez pas les disques dans des lieux exposés directement à la lumière du soleil ou qui sont très humides ou très chauds. Laisser longtemps un disque dans de telles conditions peut le faire gondoler, entraîner des moisissures ou lui causer d'autres dommages.

N'empilez pas plusieurs disques et ne placez pas d'objets lourds dessus. Ne laissez pas non plus les disques de façon prolongée en position inclinée. Cela pourrait les faire gondoler ou leur causer d'autres dommages.

Ne laissez pas des objets durs entrer en contact direct avec le sillon audio. Cela pourrait entraîner des rayures.

Une fois que vous avez fini de lire un disque, remplacez-le toujours dans sa pochette pour le rangement. Laisser un disque sans protection pourrait le faire gondoler ou le rayer.

N'employez pas de disques fendus.

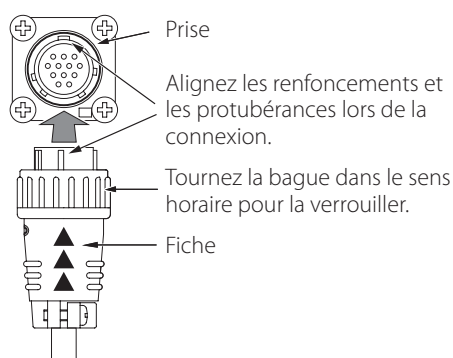


## A Prises d'entrée/sortie d'alimentation CC (DC IN/DC OUT)

Avec le cordon d'alimentation CC (courant continu) fourni, connectez la prise d'entrée d'alimentation CC (DC IN) de l'unité principale à la prise de sortie CC (DC OUT) de l'unité d'alimentation électrique.

DC OUT → DC IN

- Le cordon d'alimentation raccordé à la prise secteur de courant alternatif doit toujours être débranchée de celle-ci avant de connecter ou de déconnecter le cordon d'alimentation en courant continu (CC).
- Des flèches sont imprimées sur le cordon d'alimentation CC. Branchez ce dernier de façon à ce que les flèches pointent dans la direction indiquée par l'illustration de la page 34. Vérifiez l'orientation des renforcements, des protubérances et des flèches le chaque cordon d'alimentation CC que vous tiendrez par sa fiche. Alignez les repères de la fiche sur le connecteur et insérez-la. Tournez la bague dans le sens horaire pour la verrouiller. Inversez ces procédures pour débrancher. Lorsque vous branchez ou débranchez le cordon, ne tordez pas et n'inclinez pas la fiche.
- Veillez à ne pas vous pincer les doigts avec la bague lors de la connexion ou déconnexion du cordon d'alimentation CC.



**⚠ Ne le connectez jamais à autre chose qu'une unité principale Grandioso T1.**  
Cela pourrait entraîner des dommages.

## B Prise d'horloge 10MHz IN

Utilisez-la pour recevoir les signaux de synchronisation d'horloge à 10 MHz.

Pour utiliser la synchronisation d'horloge, connectez la prise de sortie d'horloge de l'appareil émettant le signal d'horloge à la prise 10MHz IN de cette unité. Ensuite, réglez le paramètre d'horloge externe (CLK>) sur IN (page 48).

**Pour le branchement, utilisez un câble coaxial BNC du commerce.**

- Vous pouvez utiliser des câbles BNC coaxiaux à impédance de 50 Ω ou 75 Ω.

## C Port de maintenance SOFTWARE

Sert à la maintenance. N'y branchez rien sauf si vous êtes invité à le faire par notre service après-vente.

## D Câble phono

**Utilisez un câble du commerce pour le branchement.**

Connectez toujours le fil de masse du câble phono à l'amplificateur phono. Si vous ne le connectez pas, vous risquez d'avoir un ronflement (bruit audible) dû à une boucle de masse en provenance de l'alimentation électrique.

## E Borne de masse SIGNAL GND

La qualité audio peut être améliorée en reliant cette borne de masse à un amplificateur ou à un autre appareil connecté à la Grandioso T1.

- Ce n'est pas une borne de terre de sécurité.

**En cas de bruit audible dans les enceintes**

Si un fil de masse est connecté à la borne de masse de la Grandioso T1, le débrancher peut réduire le bruit. Utilisez la méthode (connecté/déconnecté) pour laquelle le bruit est le plus faible.

## F Bouton de réglage de luminosité de LED

Utilisez-le pour régler la luminosité du voyant d'alimentation.

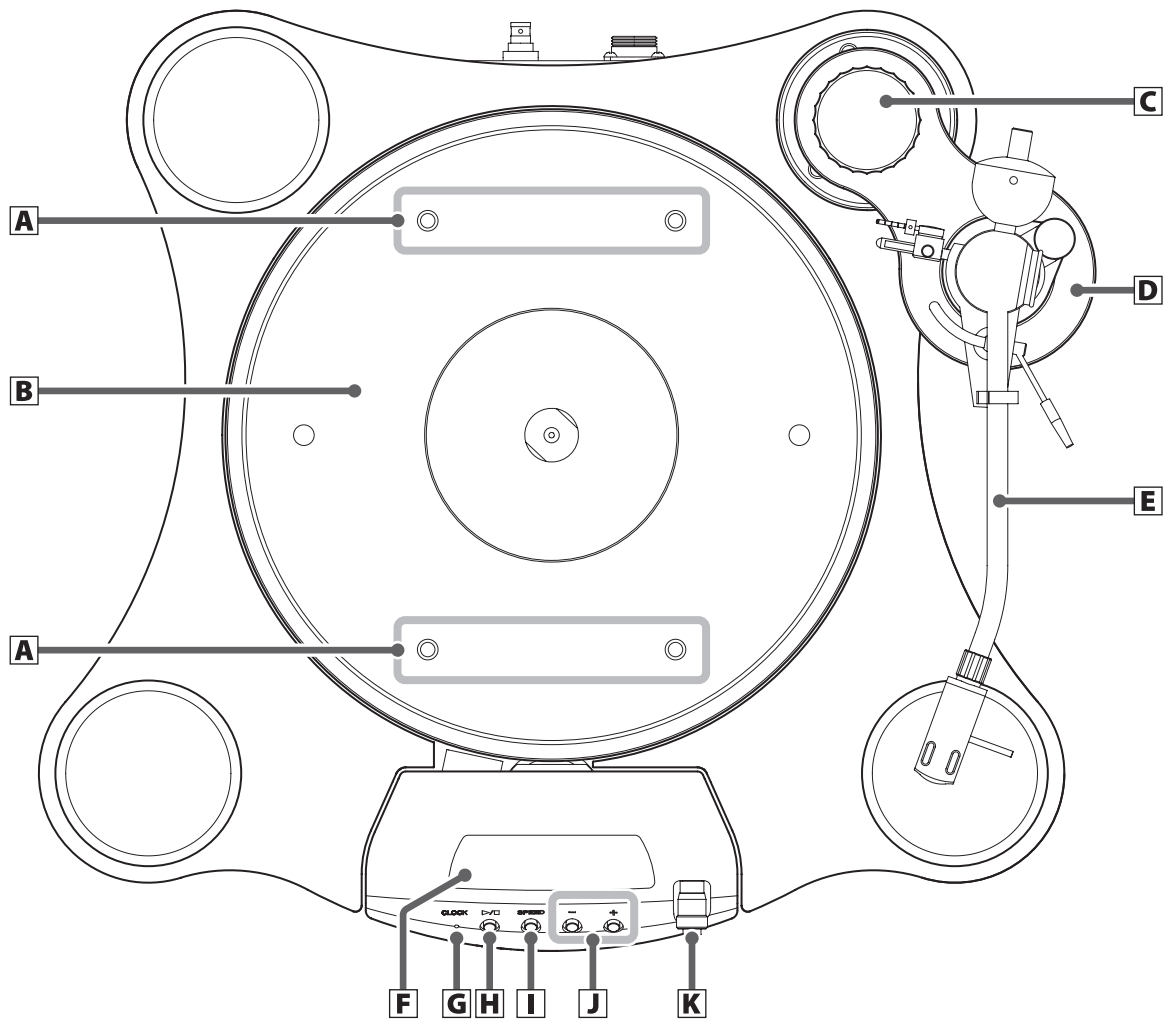
## G Prise d'entrée secteur (~IN)

Branchez le cordon d'alimentation secteur fourni à cette prise. Après avoir terminé tous les autres branchements, insérez la fiche du cordon d'alimentation dans une prise secteur.

**⚠ N'utilisez qu'un authentique cordon d'alimentation ESOTERIC. L'utilisation d'autres cordons d'alimentation peut entraîner un incendie ou un choc électrique.**

**⚠ Débranchez la fiche d'alimentation de la prise secteur en cas de non-utilisation prolongée de la Grandioso T1.**

## Parties et fonctions de l'unité principale



**A** Orifices pour les vis de fixation de poignée

**B** Plateau

**C** Vis moletée de fixation de la base du bras

Elle n'est pas incluse dans les modèles sans bras.

**D** Base du bras

Elle n'est pas incluse dans les modèles sans bras.

En cas d'achat d'un modèle sans bras, un kit de base pour bras sera également nécessaire. Nous acceptons les commandes personnalisées pour des kits de base de bras compatibles avec différents types de bras.

**E** Bras de lecture (TA-9D)

Préparez-en un pour l'utiliser avec un modèle sans bras.

**F** Écran

Il affiche diverses informations.

**G** Voyant CLOCK

Indique le statut de synchronisation d'horloge.

Ce voyant clignote pendant la synchronisation sur l'horloge et s'allume fixement une fois la synchronisation effectuée.

**H Touche Lecture/Pause (▶ / ■)**

Lance et arrête la rotation du plateau.

Appuyez sur cette touche quand l'unité est éteinte pour l'allumer.

Appuyez sur cette touche et maintenez-la pressée (pendant environ 5 secondes) pour éteindre l'unité lorsqu'elle est allumée.

Appuyez sur cette touche en mode de réglage pour mettre fin aux réglages et ramener l'écran à son état habituel (page 48).

**I Touche SPEED**

Sélectionnez la vitesse de rotation indiquée sur le disque à lire.

Appuyez sur cette touche pour alterner entre 33 1/3 et 45 tr/min.

Maintenez-la pressée pour passer en mode de réglage (page 48).

Utilisez-la pour changer de paramètre en mode de réglage.

Appuyez sur cette touche et maintenez-la pressée pour mettre fin aux réglages.

**J Touches de réglage de la vitesse de rotation (-/+)**

Utilisez-les pour régler avec précision la vitesse de rotation du plateau.

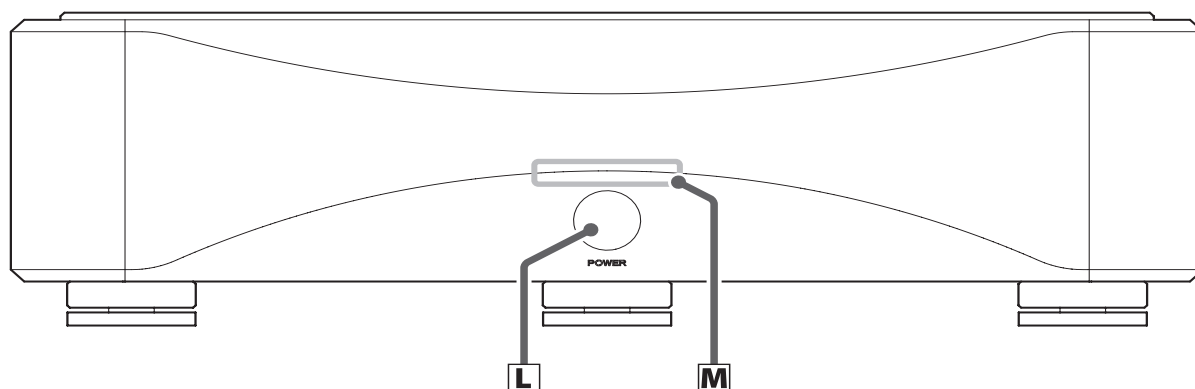
La vitesse peut être ajustée sur  $\pm 12,0\%$  par pas de 0,1 %.

Utilisez-les pour changer les valeurs des paramètres en mode de réglage (page 48).

**K Molette de réglage micrométrique**

Utilisez-la pour régler l'espace entre le moteur et le plateau.

## Parties et fonctions de l'unité d'alimentation



### **L** Touche POWER

Appuyez sur cette touche pour mettre la Grandioso T1 sous et hors tension.  
Éteignez-la quand vous ne l'utilisez pas.

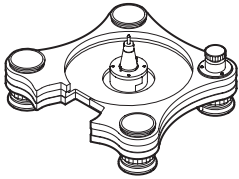
### **M** Voyant d'alimentation POWER

Il s'allume quand la Grandioso T1 est sous tension.

# Installation

Ce produit est livré dans trois emballages.

## Emballage 1



Unité de base



Base du bras

- Elle n'est pas incluse dans les modèles sans bras.

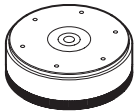


Entretoise



Caches de protection de l'unité (pré-montés sur l'unité de base)

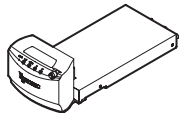
## Emballage 2



Plateau



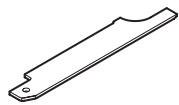
Poignées



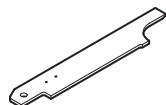
Unité moteur



Jauge de confirmation de hauteur (dans la boîte d'accessoires)

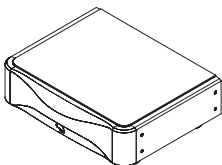


Rail d'installation (G)



Rail d'installation (D)

## Emballage 3



Unité d'alimentation électrique



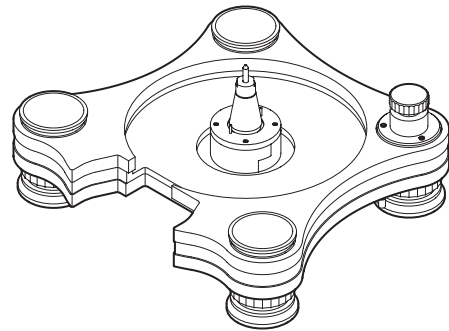
Bras de lecture (TA-9D)\*

\*Aucun bras de lecture n'est fourni avec les modèles sans bras.



L'unité de base pèse 17 kg, le plateau 19 kg, l'unité moteur 9 kg et l'unité d'alimentation 18 kg. Cet équipement étant très lourd, au moins deux personnes sont nécessaires pour ouvrir les emballages et déplacer les pièces en faisant attention à ne pas se blesser.

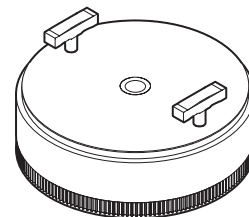
## 1 Installez l'unité de base sur une surface plane et horizontale.



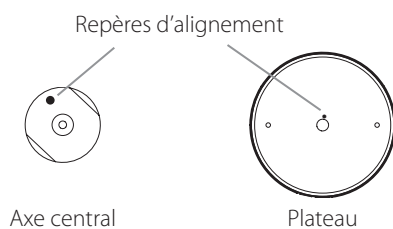
- Tenez compte de la capacité de charge du lieu d'installation.
- À ce stade, ajustez précisément la position de l'unité de base. Les étapes suivantes doivent être effectuées avec l'unité de base dans sa position définitive.

## 2 Fixez les poignées au plateau.

- Après avoir vissé les poignées à fond mais sans serrer, dévissez-les légèrement pour les orienter dans une position facilitant le soulèvement. N'installez pas les poignées en les bloquant.
- Faites attention lorsque vous manipulez le plateau qui est lourd (19 kg).

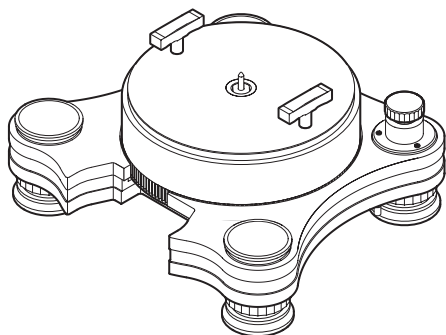


## 3 Montez le plateau sur l'unité de base.

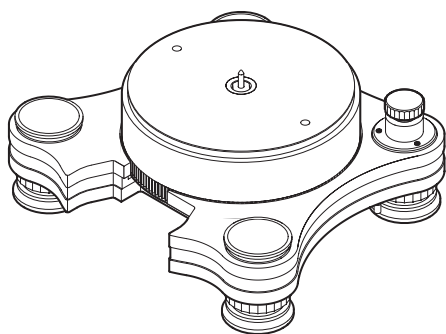


Des repères ont été placés aux endroits qui donnent une précision idéale pour l'assemblage de l'axe central et du plateau. Orientez le plateau de façon à ce que les repères soient alignés lorsqu'il est installé.

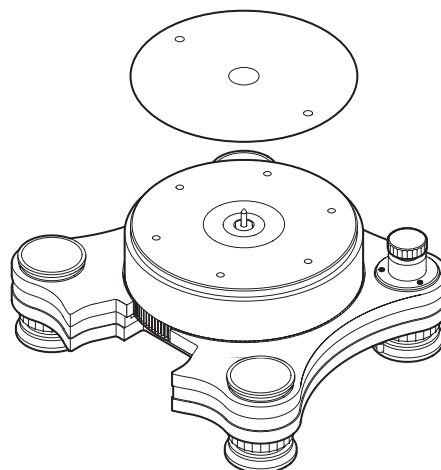
- L'axe central ne peut pas être tourné avant que le plateau ne soit installé.
- Lors de l'installation du plateau, placez-le lentement en faisant attention à ne pas vous coincer les doigts entre le plateau et la plaque de base.



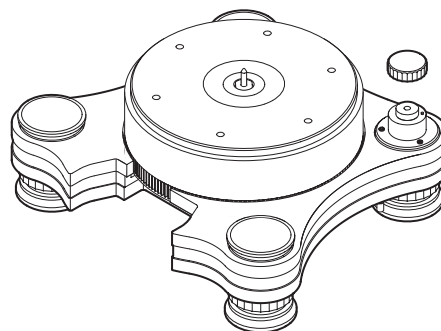
## 4 Retirez les poignées du plateau.



## 5 Retirez la feuille de protection du plateau.



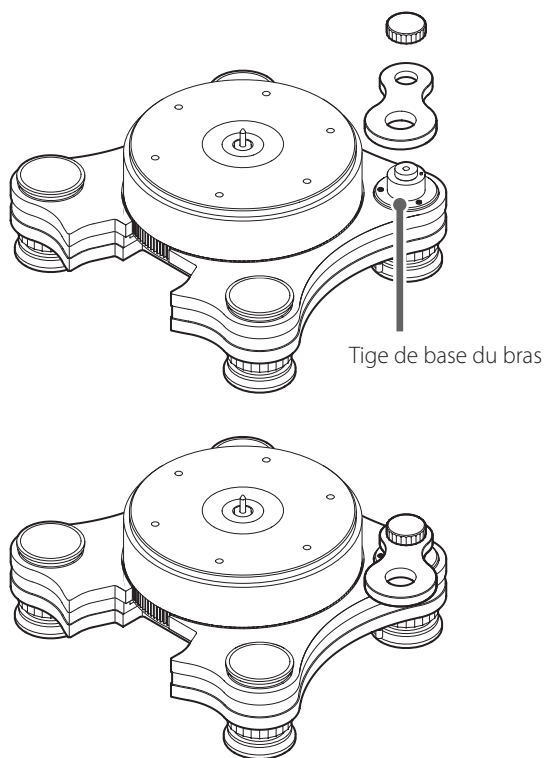
## 6 Retirez de l'unité de base la vis moletée de fixation de la base du bras.





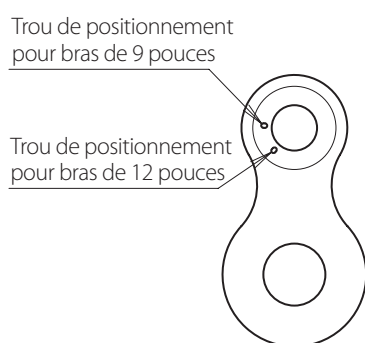
## 7 Montez la base du bras sur l'unité de base.

Faites coïncider un trou de positionnement sous la base du bras avec l'ergot dépassant de la tige de base du bras lors de son installation.



### ATTENTION

- Pour garantir une installation de niveau, veillez à installer le bras avant de régler la hauteur de l'unité de base.
- La base du bras possède 2 trous de positionnement. Choisissez le bon en fonction de la longueur du bras.

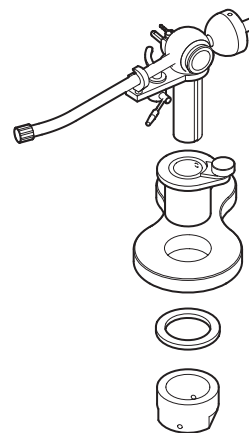


Le bras de lecture TA-9D est un bras de 9 pouces (22,86 cm).

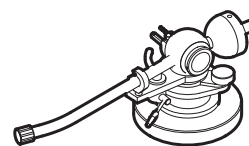
- Lorsqu'ils sont placés correctement, le dessus de la base du bras et celui de la tige de base du bras doivent être quasiment à la même hauteur. S'il y a une grande différence de hauteur entre la base du bras et la tige de base du bras, c'est sans doute que le trou de positionnement et l'ergot ne sont pas bien alignés. Essayez de réinstaller la base du bras.

## 8 Montez le bras de lecture sur la base du bras.

Reportez-vous au mode d'emploi fourni avec le bras de lecture et installez-le.



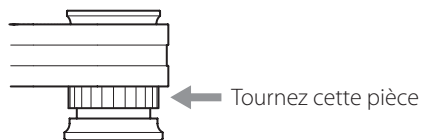
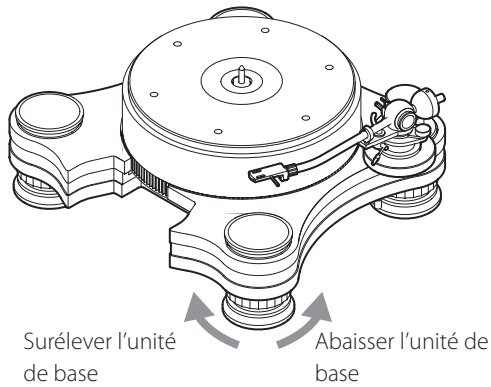
Bras de lecture installé dans la base du bras



## 9 Montez le porte-cellule sur le bras de lecture.

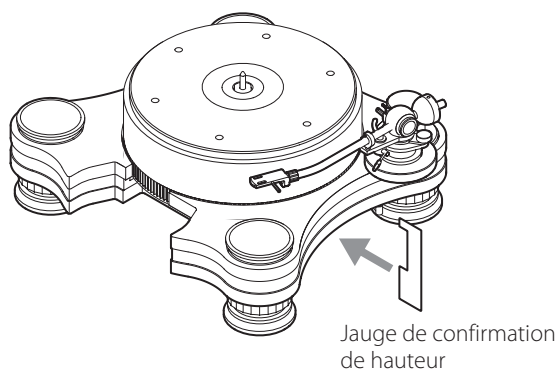
## 10 Réglez la hauteur des pieds de l'unité de base pour que le plateau soit de niveau.

Pour vérifier que la platine est bien à plat, nous vous recommandons d'utiliser par exemple un niveau pour platine, disponible dans le commerce.



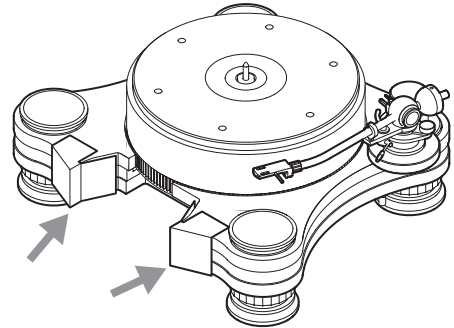
### ATTENTION

- Appuyez sur les quatre coins de l'unité de base pour vous assurer que le poids est équitablement réparti entre les quatre pieds. Si l'un des pieds est bancal, ajustez sa hauteur.
- Pour éviter de trop abaisser les pieds, réglez la hauteur dans une fourchette permettant à la jauge de confirmation de hauteur fournie de convenir aux quatre côtés de l'unité de base. Cela permettra de placer l'unité moteur sous l'unité de base lors d'une étape ultérieure.



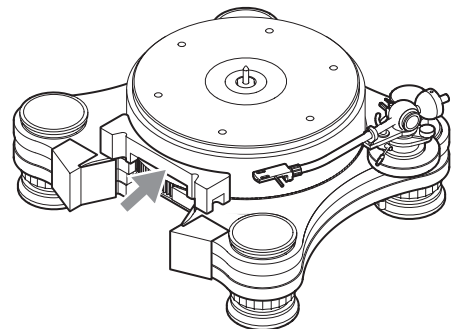
## 11 Assurez-vous que les caches de protection sont fixés à l'unité de base aux endroits indiqués par les flèches.

Fixez-les à nouveau s'ils ont été retirés pendant l'installation.



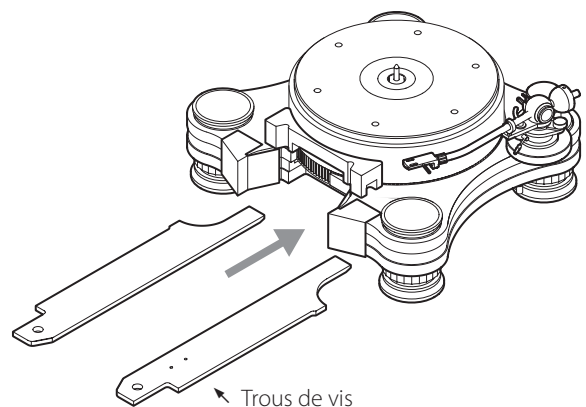
## 12 Placez l'entretoise sur l'unité de base de façon à ce qu'elle touche le plateau comme indiqué dans l'illustration.

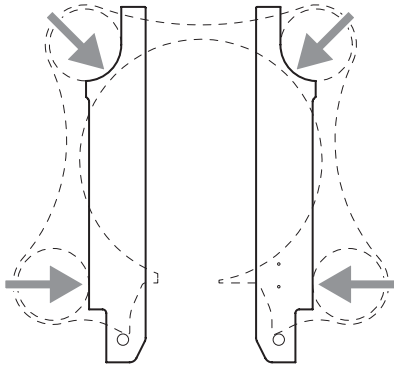
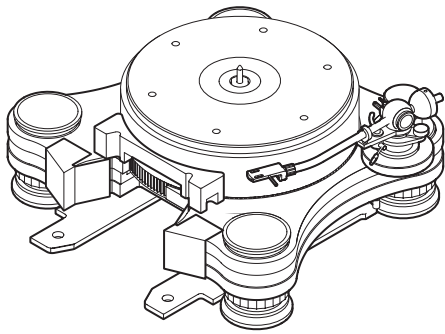
- Fixez l'entretoise en respectant la bonne orientation haut-bas.



## 13 Placez les rails d'installation entre les pieds de l'unité de base.

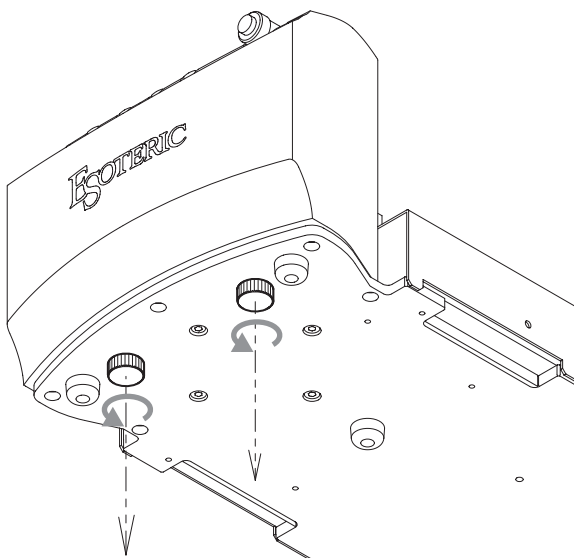
- Le rail d'installation qui comporte 2 trous de vis est destiné au côté droit.





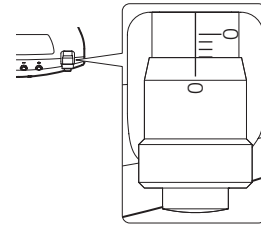
Placez les rails d'installation de manière à ce qu'ils touchent les pieds de l'unité de base aux endroits indiqués par les flèches. (L'unité de base est représentée en pointillé pour cette explication.)

#### 14 Retirez les vis de transport du dessous de l'unité moteur.



- Les vis retirées seront nécessaires pour le transport, aussi rangez-les pour ne pas les perdre. Une fois l'installation terminée, fixez les vis de transport aux trous de vis du rail d'installation (R).

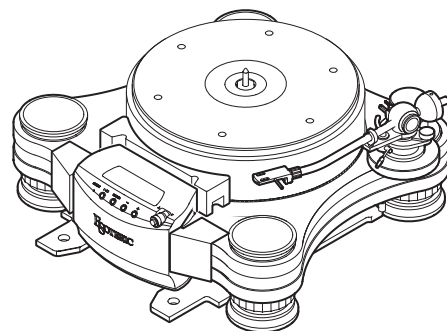
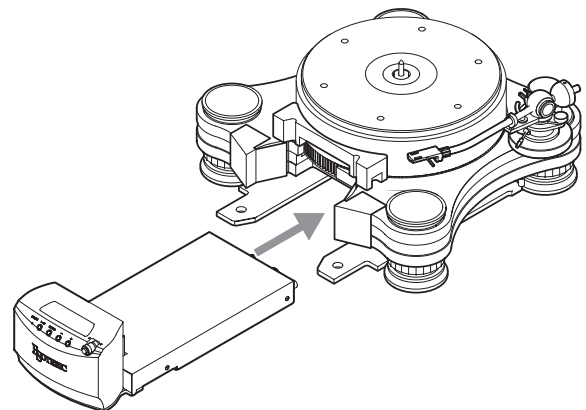
#### 15 Réglez la valeur du micromètre de l'unité moteur sur 3.



#### 16 En vous guidant à l'aide des rails d'installation, insérez l'unité moteur.

Insérez l'unité moteur jusqu'à ce qu'il n'y ait plus d'espace entre elle, le plateau et l'entretoise.

- Lorsque vous insérez l'unité moteur, veillez bien à ce qu'elle ne touche pas l'unité de base.
- Si l'unité moteur et l'unité de base se touchent, utilisez la jauge de confirmation de hauteur et ajustez la hauteur de l'unité de base.



**17** Placez l'unité d'alimentation près de l'unité de base et connectez-la à l'unité moteur avec le cordon d'alimentation CC (page 34).

Si vous utilisez un générateur d'horloge, connectez-le à la prise 10MHz IN.

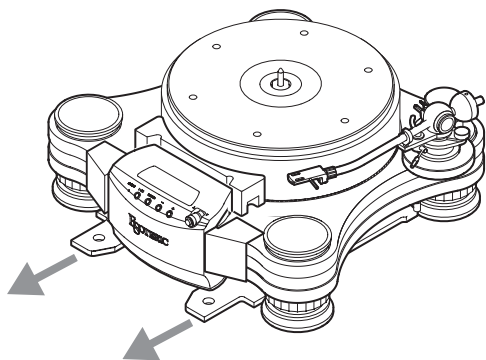
**18** Utilisez un câble phono (vendu séparément) pour connecter le bras de lecture à un ampli phono ou à l'entrée phono d'un ampli.

Pour le branchement, utilisez un câble phono du commerce.

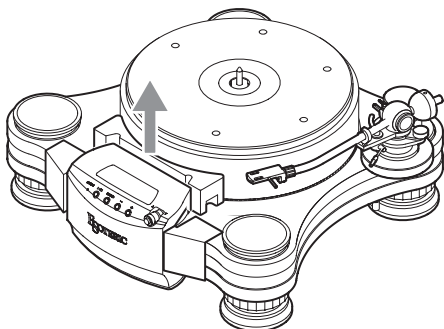
- Connectez également toujours le fil de masse du câble phono.

**19** Tout en empêchant l'unité moteur de bouger, en la tenant par exemple à la main, retirez les rails de montage.

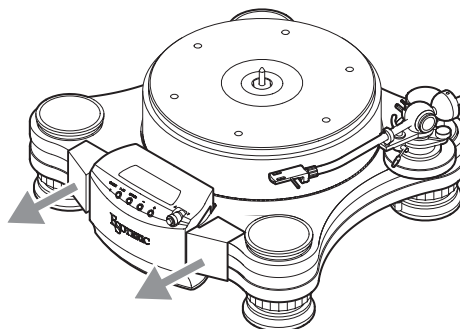
- Si l'unité moteur a été déplacée lors du retrait des rails d'installation, remettez les rails dans leur position initiale. Insérez l'unité moteur jusqu'à ce qu'il n'y ait plus d'espace entre elle, le plateau et l'entretoise. Ensuite, retirez les rails d'installation.



**20** Retirez l'entretoise du plateau.



**21** Retirez les caches de protection fixés à l'unité de base aux endroits indiqués par les flèches.



**22** Placez le tapis de platine sur le plateau.

**23** Réglez le bras de lecture.

- Reportez-vous au mode d'emploi du bras de lecture utilisé et réglez-le.
- Après avoir terminé tous les branchements, insérez la fiche du cordon d'alimentation dans une prise secteur.

**ATTENTION**

Conservez les outils utilisés pour l'installation car ils seront nécessaires si vous devez déplacer cet équipement.

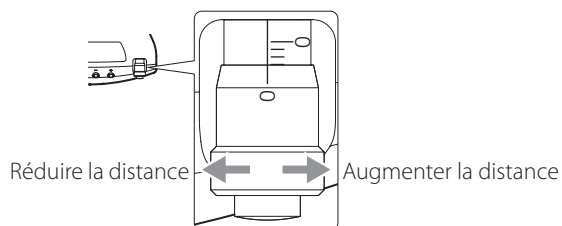
## Réglage de la distance entre le plateau et le moteur à induction magnétique

Le réglage de la distance entre le plateau et le moteur à induction magnétique modifie le son lors de la lecture d'un disque.

La valeur par défaut est de 3.

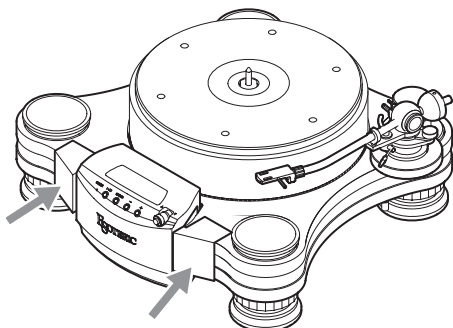
La plage de réglage est 2-3.

Réglez la molette de réglage du micromètre sur la position souhaitée.

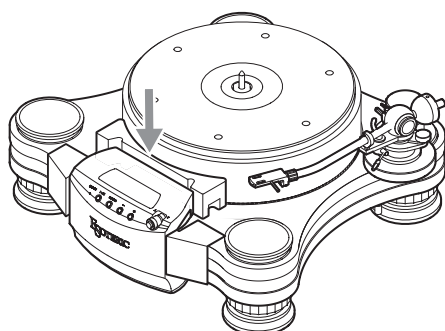


## Retrait de l'unité moteur

- 1 Fixez les caches de protection à l'unité de base aux endroits indiqués par les flèches.

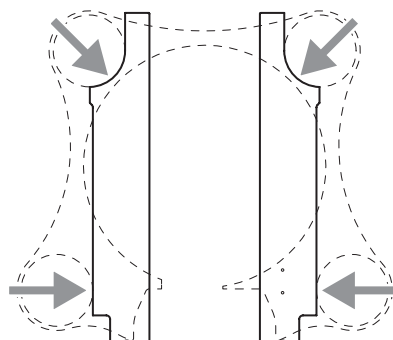
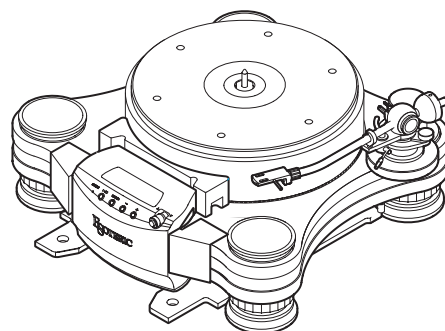
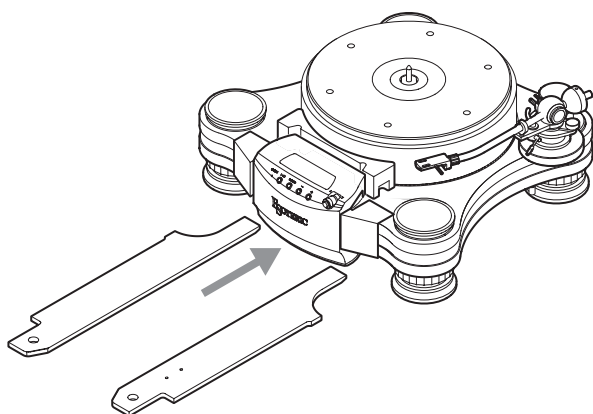


- 2 Placez l'entretoise entre l'unité moteur et le plateau comme indiqué dans l'illustration.



- 3 Placez les rails d'installation entre les pieds de l'unité de base.

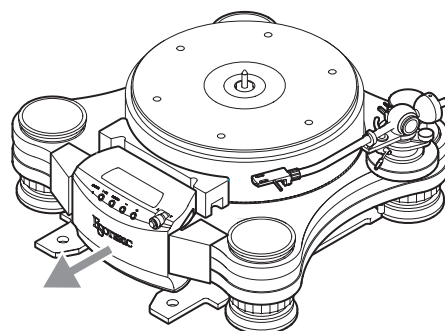
- Retirez les vis de transport des rails d'installation si elles y ont été fixées.



Placez les rails d'installation de manière à ce qu'ils touchent les pieds de l'unité de base aux endroits indiqués par les flèches. (L'unité de base est représentée en pointillé pour cette explication.)

- 4 Retirez les câbles connectés à l'unité moteur et au bras de lecture.

- 5 Sortez l'unité moteur.

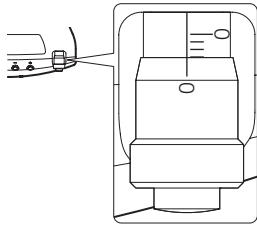


- 6 Retirez les rails d'installation, l'entretoise et les caches de protection.

### Ramener l'unité moteur à sa position par défaut

Si l'unité moteur s'est déplacée à cause, par exemple, d'un tremblement de terre, suivez la procédure ci-dessous pour rétablir sa position.

- 1 Réglez la valeur du micromètre de l'unité moteur sur 3.**



- 2 Effectuez les étapes 1 à 3 de « Retrait de l'unité moteur » en page 45.**

- 3 Ajustez la position de l'unité moteur.**

Poussez l'unité moteur jusqu'à ce qu'il n'y ait plus d'espace entre elle, le plateau et l'entretoise.

- 4 Suivez la procédure d'installation de l'étape 19 (en page 44) pour retirer les outils.**

- 5 Réglez la valeur du micromètre comme vous le souhaitez pour l'unité moteur.**

## Lecture des disques

**1 Appuyez sur la touche POWER pour allumer la Grandioso T1.**

**2 Placez un disque sur le plateau.**

Pour lire un disque avec un grand trou central, utilisez un adaptateur de disque.

**3 Appuyez sur la touche SPEED pour sélectionner la vitesse de rotation indiquée sur le disque.**

La vitesse de rotation peut être réglée sur 33 1/3 ou 45 tr/min.

**4 Appuyez sur la touche Lecture/Arrêt (▶ / ■) pour lancer la rotation du plateau.**

Attendez que la vitesse de rotation se stabilise.

**5 Utilisez le levier de lève-bras pour soulever le bras.**

- Vous pouvez également amener le bras de lecture au-dessus du disque sans vous servir du lève-bras puis l'abaisser lentement pour lancer la lecture.

**6 Amenez le bras de lecture sur la partie de disque dont vous souhaitez lancer la lecture.**

**7 Utilisez le levier de lève-bras pour abaisser le bras.**

Le bras de lecture s'abaisse lentement jusqu'à ce que la pointe touche le disque et cela lance la lecture.

### ATTENTION

- Durant la lecture, ne touchez pas le bras de lecture ni le disque. Vous risqueriez d'endommager la pointe et de provoquer des rayures sur le disque.
- Ne forcez pas le plateau à arrêter sa rotation durant la lecture. Comme ce produit n'est pas une platine tourne-disque conçue pour les DJ (à entraînement direct), cela pourrait provoquer un dysfonctionnement.

Durant la lecture d'un disque, une réinjection du signal (« larsen ») peut se produire si le volume est trop fort. Si cela se produit, baissez le volume de l'amplificateur.

## Lorsque la lecture est terminée

**1 Utilisez le levier de lève-bras pour soulever le bras.**

**2 Ramenez le bras de lecture à sa position initiale.**

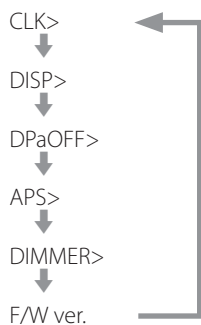
**3 Utilisez le levier de lève-bras pour abaisser le bras.**

**4 Appuyez sur la touche Lecture/Arrêt (▶ / ■) pour arrêter la rotation du plateau.**

## Changement des réglages

**1** Maintenez pressée la touche **SPEED**.

**2** Appuyez plusieurs fois sur la touche **SPEED** afin de sélectionner le paramètre à modifier.



**3** Appuyez sur les touches de réglage de la vitesse de rotation (**-/+**) pour modifier la valeur de réglage.

**4** Appuyez sur la touche **Lecture/Arrêt (▶/■)** pour mettre fin aux réglages.

Le mode de réglage se terminera aussi avec réapparition de l'affichage normal si rien n'est fait durant au moins dix secondes.

- Les réglages sont conservés même après déconnexion du cordon d'alimentation.

## Réglage d'horloge (« Clock »)

### CLK>\*\*\*

Sert à régler la synchronisation avec une horloge externe.

- Par défaut, le réglage est OFF.

### OFF

La synchronisation d'horloge n'est pas employée.

### IN

Dans ce mode, l'unité est synchronisée avec le signal d'horloge 10 MHz entrant par sa prise d'horloge 10MHz IN en provenance d'un générateur d'horloge.

Le voyant **CLOCK** s'allume. Le voyant **CLOCK** clignote au cours du processus de synchronisation ou en cas d'impossibilité de synchronisation.

- La fréquence d'horloge recevable est de 10 MHz.
- Lorsqu'un disque est en cours de lecture, n'arrêtez pas le signal d'horloge en éteignant le générateur d'horloge ou en débranchant le câble coaxial BNC qui fournit le signal d'horloge 10 MHz.

### NOTE

En cas de réglage sur CLK>IN et de synchronisation avec une horloge 10 MHz, « CLK 10M » s'affiche à l'écran.

## Réglage d'affichage

### DISP>\*\*\*

Utilisez ce paramètre pour changer le mode d'affichage.

- Par défaut, ce paramètre est réglé sur NORM.

### NORM

L'état de lecture/arrêt et la vitesse de rotation sont affichés.

### RPM

Seule la vitesse de rotation est affichée.

### AUTO

L'état de lecture/arrêt et la vitesse de rotation sont affichés. Une fois la rotation stabilisée, l'écran s'éteint.



## Réglage d'assombrissement automatique de l'écran

### DPaOFF>\*\*\*

Utilisez-le pour que l'écran s'assombrisse automatiquement.

- Par défaut, ce paramètre est réglé sur ON.
- Si l'écran OEL reste allumé longtemps sur les mêmes indications, des irrégularités de luminosité peuvent survenir. Pour cette raison, nous vous recommandons de régler la fonction d'assombrissement automatique de l'écran sur ON.

### ON

Si aucune opération n'est effectuée depuis dix minutes, l'écran s'éteint automatiquement.

### OFF

L'écran ne s'éteindra pas automatiquement.

- Si aucune opération n'est effectuée pendant dix minutes, l'écran s'assombrit jusqu'à la luminosité DIMMER>1 pour le protéger d'une usure excessive.

## Réglage d'économie automatique d'énergie

### APS>\*\*\*

L'unité s'éteint automatiquement si le plateau n'a pas tourné durant une certaine période de temps, définie ici.

- Par défaut, le réglage est OFF.

### OFF

La fonction d'économie automatique d'énergie est désactivée.

### 30m

30 minutes

### 60m

60 minutes

### 90m

90 minutes

### 120m

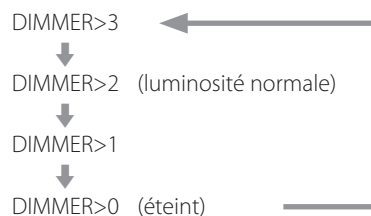
120 minutes

## Réglage d'atténuateur

### DIMMER>\*\*\*

Sert à régler la luminosité de l'écran de l'unité principale.

- Elle est par défaut réglée sur 2.



- Même avec un réglage DIMMER>1 ou DIMMER>0, les réglages et les messages d'erreur s'affichent avec une luminosité normale (DIMMER>2).

## Affichage des versions de firmware

### F/W ver.

Appuyez sur la touche de réglage de vitesse de rotation (+) lorsque « F/W ver. » est affiché pour vérifier les versions des firmwares (micro-logiciels internes).

### I/F \*\*\*\*

Firmware de l'interface

### MTR \*\*\*\*

Firmware du pilote de moteur

Si vous rencontrez un problème avec ce produit, veuillez prendre un moment pour lire les informations suivantes avant de solliciter une réparation. Par ailleurs, ce produit n'est peut-être pas la cause du problème. Veuillez aussi vérifier le fonctionnement des unités connectées. Si ce produit ne fonctionne toujours pas correctement, contactez le revendeur chez qui vous l'avez acheté.

## Générales

### La Grandioso T1 ne s'allume pas.

- ➔ Vérifiez que le cordon d'alimentation est bien connecté à la fois à la prise située à l'arrière de l'alimentation électrique et à une prise de courant.
- ➔ Vérifiez que la prise à laquelle est branché le cordon d'alimentation reçoit bien du courant, par exemple en y branchant un autre appareil. Vérifiez que le cordon d'alimentation CC est bien connecté entre l'unité principale et l'unité d'alimentation.

### La Grandioso T1 s'éteint automatiquement.

- ➔ C'est la fonction d'économie automatique d'énergie qui a entraîné l'extinction de la Grandioso T1. Appuyez sur la touche POWER pour l'allumer. Changez si nécessaire le réglage de la fonction d'économie automatique d'énergie.

### L'unité principale ne répond pas quand on appuie sur les touches.

- ➔ Plusieurs pressions de touche sans interruption peuvent entraîner l'arrêt de la réponse de l'unité principale. Après avoir appuyé sur une touche, attendez que l'unité principale réponde.

### Il y a du bruit.

- ➔ Éloignez autant que possible les unités des téléviseurs et autres appareils à fort champ magnétique.

## Synchronisation d'horloge

### Le voyant CLOCK ne cesse pas de clignoter.

- ➔ Réglez l'horloge (CLK>) sur OFF si vous n'utilisez pas la synchronisation d'horloge.
- ➔ Un signal d'horloge sur lequel l'unité principale ne peut pas se synchroniser est peut-être reçu. Vérifiez le branchement de la prise d'horloge et les réglages des appareils connectés. La Grandioso T1 ne prend en charge qu'une horloge à 10 MHz.

## Lecture des disques

### Le bras ne descend pas même si on abaisse le lève-bras.

- ➔ Équilibrez le bras de lecture et re-réglez la force d'appui.

### La hauteur est incorrecte.

- ➔ Sélectionnez la vitesse de rotation indiquée sur le disque.

### La lecture est impossible, il y a du bruit.

- ➔ Rebranchez le câble phono.
- ➔ Sur un disque, les traces de doigts et la poussière peuvent causer du bruit et faire sauter le son. Utilisez un nettoyeur pour disque du commerce pour nettoyer les disques.
- ➔ Nettoyez la pointe.
- ➔ Si la pointe est usée, remplacez-la.
- ➔ Éloignez autant que possible les unités des téléviseurs, fours à micro-ondes et autres appareils qui émettent des ondes électromagnétiques.
- ➔ Branchez le cordon d'alimentation dans une autre prise secteur.

### Du bruit se produit lors de la lecture d'un disque.

- ➔ Du bruit peut se produire si la force d'appui est supérieure à la valeur spécifiée pour la cellule. Réajustez la force d'appui conformément à la valeur spécifiée.

### Le son saute.

- ➔ Des vibrations entraînent des sauts. Placez les unités à des endroits stables.
- ➔ Nettoyez le disque.
- ➔ N'employez pas de disques rayés.
- ➔ Équilibrez le bras de lecture et re-réglez la force d'appui. La pointe et le son peuvent sauter si la force d'appui est inférieure à la valeur spécifiée pour la cellule.
- ➔ Si la pointe est tordue, remplacez-la.

### L'unité moteur ou l'unité de base a été déplacée suite par exemple à un tremblement de terre ou à un autre choc.

- ➔ Suivez la procédure « Ramener l'unité moteur à sa position par défaut » en page 46 pour rétablir sa position.

**Comme la Grandioso T1 utilise un microcontrôleur, du bruit externe ou d'autres interférences peuvent entraîner son mauvais fonctionnement. Si cela se produit, éteignez l'appareil et rallumez-le après une attente d'environ une minute.**

## Liste des messages d'erreur

### CLOCK!

L'unité ne peut pas se synchroniser sur un signal d'horloge.

- ➔ Voir « Synchronisation d'horloge » en page 50.

### MOTOR ERR!

Le pilote du moteur a détecté un problème et a arrêté le moteur.

- ➔ Appuyez sur la touche Lecture/Arrêt (▶/■) pour faire redémarrer le plateau.
- ➔ Si ce message apparaît fréquemment, contactez le magasin dans lequel vous avez acheté l'unité.

### OverCRNT!

Le pilote du moteur a détecté un courant excessif et a forcé le moteur à s'arrêter.

- ➔ Appuyez sur la touche Lecture/Arrêt (▶/■) pour faire redémarrer le plateau.
- ➔ Si ce message apparaît fréquemment, contactez le magasin dans lequel vous avez acheté l'unité.

### PLAT ERR!

Le plateau ne tourne pas.

Le moteur s'est arrêté pour cette raison.

- ➔ Appuyez sur la touche Lecture/Arrêt (▶/■) pour faire redémarrer le plateau.
- ➔ Si ce message apparaît fréquemment, suivez la procédure d'« Installation » en page 39 pour réinstaller le produit.

### START ERR!

Une erreur de démarrage s'est produite. Le plateau met beaucoup de temps à atteindre la vitesse de rotation choisie.

- ➔ Le message disparaît lorsque le plateau atteint la vitesse de rotation choisie.
- ➔ Si ce message apparaît fréquemment, suivez la procédure d'« Installation » en page 39 pour réinstaller le produit.

### ADJ ERR!

Le plateau ne tourne pas à la vitesse de rotation choisie.

- ➔ Le message disparaît lorsque le plateau atteint la vitesse de rotation choisie.
- ➔ Si ce message apparaît fréquemment, suivez la procédure d'« Installation » en page 39 pour réinstaller le produit.

## Rappel des réglages d'usine

Les réglages sont conservés même après déconnexion du cordon d'alimentation.

Suivez ces procédures pour restaurer les réglages d'usine par défaut et effacer tous les changements effectués en mémoire.

### 1 Éteignez la Grandioso T1.

Si elle est allumée, appuyez sur la touche POWER de l'unité d'alimentation pour l'éteindre et attendez plus de 30 secondes.

### 2 Appuyez sur la touche POWER tout en maintenant la touche SPEED pressée.

Lorsque « Setup CLR » (réglages effacés) s'affiche à l'écran, relâchez la touche SPEED.

### Note concernant la condensation

Si on fait passer ce produit d'un environnement extérieur froid à une pièce chauffée, ou si par exemple le chauffage vient d'être allumé dans la pièce où il se trouve, de la condensation peut se produire sur les pièces de fonctionnement, entraînant un fonctionnement incorrect. Si cela se produit, laissez le produit allumé et attendez une ou deux heures. Cela devrait permettre un retour de la lecture à la normale.

# Caractéristiques techniques

## Plateau

|   |                           |
|---|---------------------------|
| Vitesse de rotation.....                      | 33 1/3 tr/min, 45 tr/min  |
| Plage de réglage de la vitesse de rotation... | ±12 % (par pas de 0,1 %)  |
| Pleurage et scintillement .....               | 0,06 % ou moins (W.R.M.S) |

## Entrée d'horloge

|                                       |                                   |
|---------------------------------------|-----------------------------------|
| BNC .....                             | 1                                 |
| Impédance d'entrée .....              | 50 Ω                              |
| Fréquences recevables (±10 ppm) ..... | 10 MHz                            |
| Niveau d'entrée.....                  | 0,5 à 1,0 Vrms (onde sinusoïdale) |

## Unité de base

|  |    |
|--|----|
| Tige de base du bras.....                            | 1* |
| (Elle n'est pas incluse dans les modèles sans bras.) |    |

\*3 bras de lecture peuvent être montés sur ce produit.

Pour installer un bras de lecture supplémentaire, un kit de base pour bras sera également nécessaire.

Nous acceptons les commandes personnalisées pour des kits de base de bras compatibles avec différents types de bras.

## Générales

|                                     |                                |
|-------------------------------------|--------------------------------|
| Alimentation électrique             |                                |
| Modèle Europe.....                  | CA 230 V, 50 Hz                |
| Modèle USA/Canada .....             | CA 120 V, 60 Hz                |
| Consommation électrique.....        | 9 W                            |
| En veille .....                     | 0,5 W ou moins                 |
| Température de fonctionnement ..... | +5 °C à +35 °C                 |
| Hygrométrie de fonctionnement ....  | 5 % à 85 % (sans condensation) |
| Température de stockage.....        | -20 °C à +55 °C                |

## Unité de base

|  |                    |
|--|--------------------|
| Dimensions externes (L × H × P, saillies incluses) | 497 × 215 × 436 mm |
| Poids.....   | 17 kg              |

## Plateau

|   |                  |
|---|------------------|
| Dimensions externes (diamètre × hauteur) .... | Ø 315,4 × 103 mm |
| Poids.....                                    | 19 kg            |

## Unité moteur

|  |                    |
|--|--------------------|
| Dimensions externes (L × H × P, saillies incluses) | 180 × 137 × 450 mm |
| Poids.....   | 9 kg               |

## Unité d'alimentation électrique

|  |                    |
|--|--------------------|
| Dimensions externes (L × H × P, saillies incluses) | 445 × 162 × 447 mm |
| Poids.....   | 18 kg              |

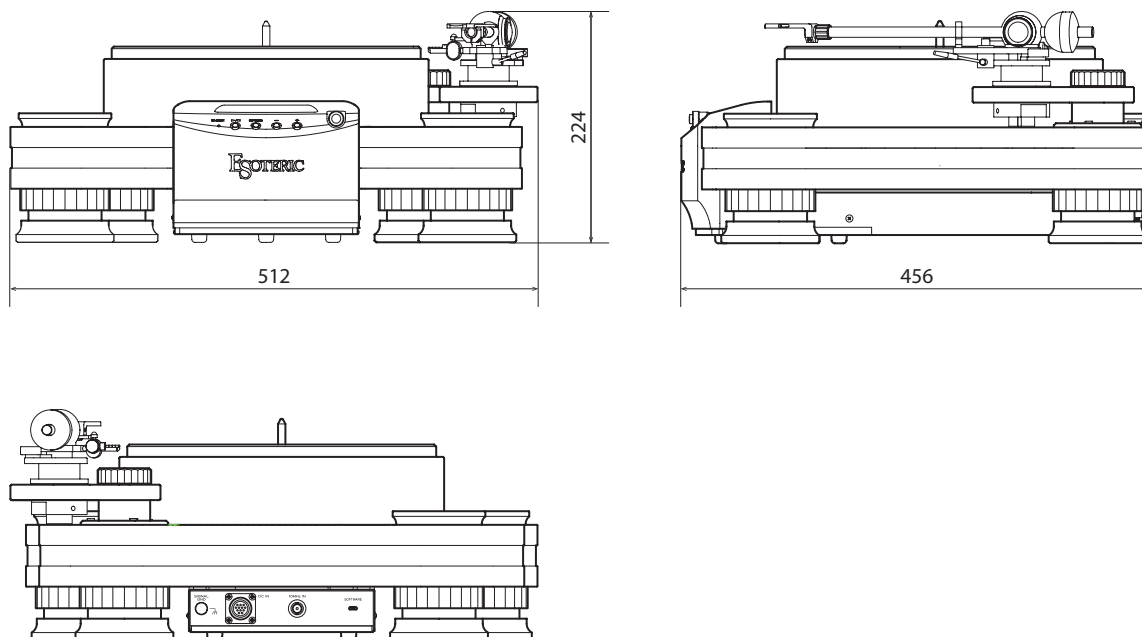
## Accessoires fournis

|  |  |
|--|--|
| Outils d'installation                              |  |
| Entretoise × 1                                     |  |
| Jauge de confirmation de hauteur × 1               |  |
| Rail d'installation (G) × 1                        |  |
| Rail d'installation (D) × 1                        |  |
| Caches de protection de l'unité × 2                |  |
| Tapis de platine × 1                               |  |
| Cordon d'alimentation CC × 1                       |  |
| Cordon d'alimentation × 1                          |  |
| Patins en feutre (pour l'unité d'alimentation) × 4 |  |
| Poignées × 2                                       |  |
| Mode d'emploi (ce document) × 1                    |  |
| Carte de garantie × 1                              |  |
| Bras de lecture TA-9D × 1*                         |  |
| Mode d'emploi du bras de lecture TA-9D × 1*        |  |
| Base du bras × 1*                                  |  |

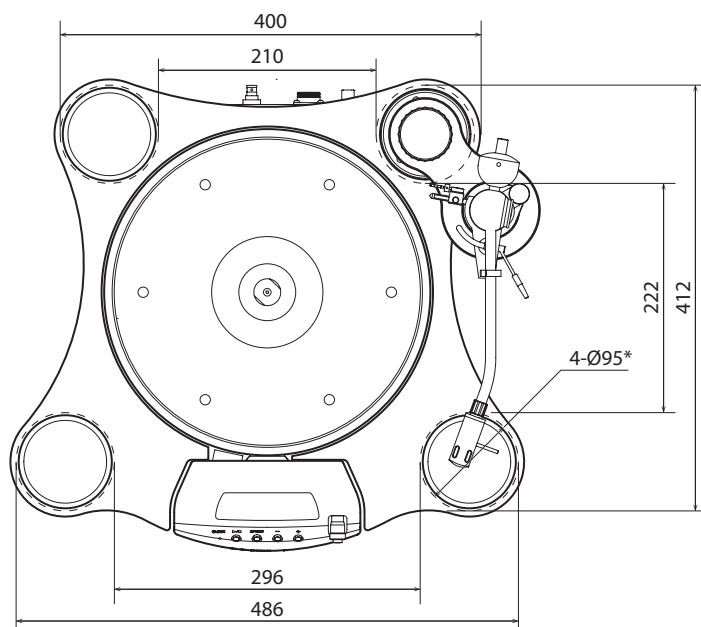
\*Non inclus dans les modèles sans bras

- Caractéristiques techniques et aspect sont sujets à changements sans préavis.
- Le poids et les dimensions sont des valeurs approchées.
- Les illustrations de ce mode d'emploi peuvent légèrement différer des modèles de production.

## Unité principale

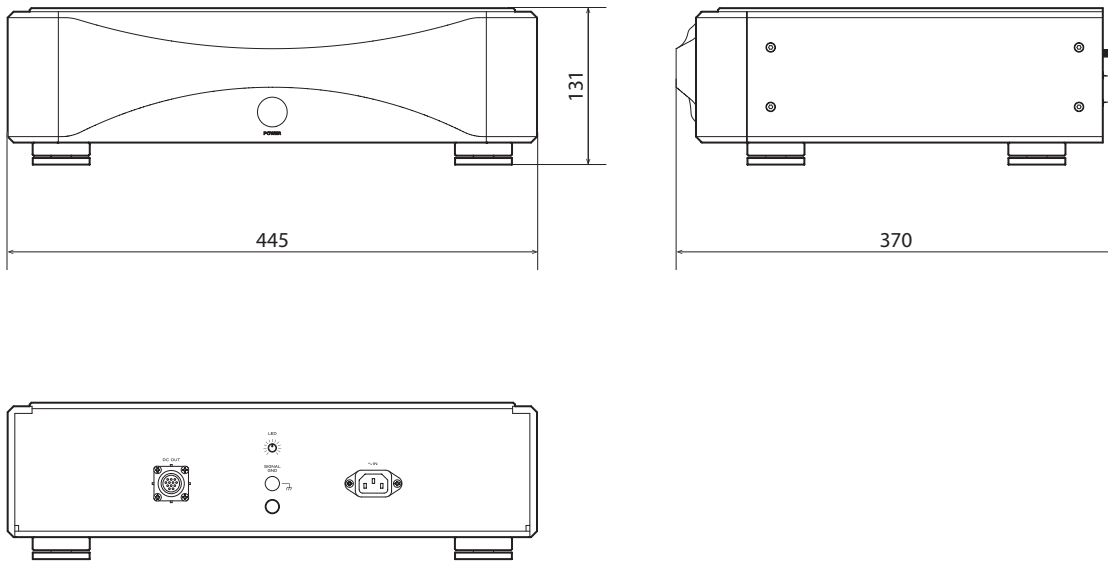


## Schéma de positionnement des pieds

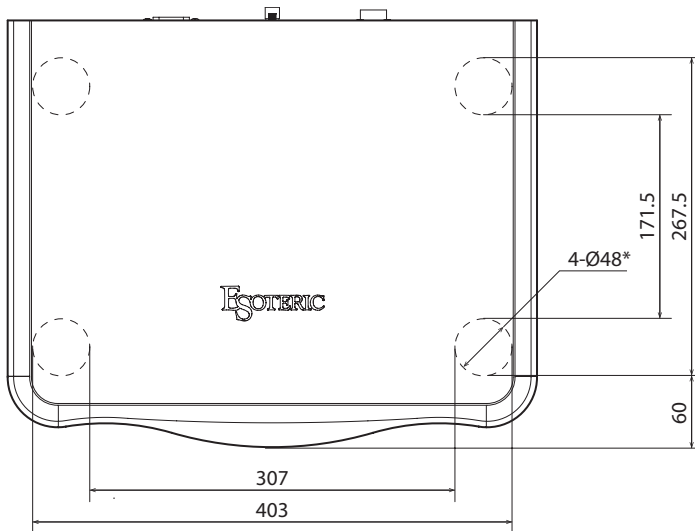


Les dimensions sont en millimètres (mm)  
\*Pieds de 95 mm de diamètre x 4

### Unité d'alimentation électrique



### Schéma de positionnement des pieds



Les dimensions sont en millimètres (mm)  
\*Pieds de 48 mm de diamètre x 4

# INSTRUCCIONES IMPORTANTES DE SEGURIDAD



**CAUTION**  
**RISK OF ELECTRIC SHOCK**  
**DO NOT OPEN**



PRECAUCIÓN: PARA REDUCIR EL RIESGO DE DESCARGA ELÉCTRICA, NO quite la cubierta (NI EL PANEL POSTERIOR). NO HAY PIEZAS INTERNAS QUE EL USUARIO PUEDA REPARAR. PARA REPARACIONES, REMÍTASE A UN SERVICIO TÉCNICO CUALIFICADO.



El símbolo del rayo acabado en flecha dentro de un triángulo equilátero alerta al usuario de la presencia de un "voltaje peligroso" sin aislar dentro de la carcasa del producto que puede ser de magnitud suficiente como para constituir riesgo de descarga eléctrica para las personas.



El signo de exclamación dentro de un triángulo equilátero alerta al usuario de la presencia de importantes instrucciones de funcionamiento y mantenimiento en la literatura que acompaña al aparato.

**AVISO: PARA EVITAR RIESGO DE INCENDIO O DESCARGAS ELÉCTRICAS, NO EXPONGA ESTE APARATO A LA LLUVIA NI A LA HUMEDAD.**

## PRECAUCIÓN

- NO quite las carcasas externas ni deje al aire la electrónica. ¡EN EL INTERIOR NO HAY PIEZAS QUE EL USUARIO PUEDA MANIPULAR!
- SI EXPERIMENTA PROBLEMAS CON ESTE PRODUCTO, PÓNGASE EN CONTACTO CON EL ESTABLECIMIENTO DONDE ADQUIRIÓ LA UNIDAD PARA SOLICITAR SERVICIO TÉCNICO. NO UTILICE EL APARATO HASTA QUE HAYA SIDO REPARADO.
- EL USO DE CONTROLES, AJUSTES O PROCEDIMIENTOS QUE NO SEAN LOS ESPECIFICADOS EN ESTE MANUAL PUEDE CAUSAR EXPOSICIÓN A RADIACIONES PELIGROSAS.

- 1) Lea estas instrucciones.
- 2) Conserve estas instrucciones.
- 3) Cumpla con lo indicado en los avisos.
- 4) Siga todas las instrucciones.
- 5) No utilice este aparato cerca del agua.
- 6) Límpielo solo con un trapo seco.
- 7) No bloquee ninguna de las ranuras de ventilación. Instale este aparato de acuerdo con las instrucciones del fabricante.
- 8) No instale este aparato cerca de fuentes de calor como radiadores, calentadores, hornos u otros aparatos (incluyendo amplificadores) que produzcan calor.
- 9) No elimine el sistema de seguridad que supone el enchufe polarizado o con toma de tierra. Un enchufe polarizado tiene dos bornes, uno más ancho que el otro. Uno con toma de tierra tiene dos bornes iguales y una tercera lámina para la conexión a tierra. El borne ancho o la lámina se incluyen para su seguridad. Si el enchufe que venga con la unidad no encaja en su salida de corriente, haga que un electricista cambie su salida anticuada.

- 10) Evite que el cable de corriente quede de forma que pueda ser pisado o quedar retorcido o aplastado, especialmente en los enchufes, receptáculos o en el punto en el que salen del aparato.
- 11) Use solo accesorios/complementos especificados por el fabricante.



- 12) Utilice este aparato solo con un soporte, trípode o bastidor especificado por el fabricante o que se venda con el propio aparato. Cuando utilice un bastidor con ruedas, tenga cuidado al mover la combinación de aparato/bastidor para evitar que vuelque y puedan producirse daños.
- 13) Desconecte este aparato de la corriente durante las tormentas eléctricas o cuando no lo vaya a usar durante un periodo de tiempo largo.
- 14) Dirija cualquier posible reparación solo al servicio técnico oficial. Este aparato deberá ser reparado si se ha dañado de alguna forma, como por ejemplo si el cable de corriente o el enchufe están rotos, si ha sido derramado algún líquido sobre la unidad o algún objeto ha sido introducido en ella, si ha quedado expuesto a la lluvia o la humedad, si no funciona normalmente o si ha caído al suelo en algún momento.

- Este aparato libera corriente nominal no válida para el funcionamiento a través de la toma de corriente, aún cuando el interruptor de encendido y activación (POWER o STANDBY/ON) no esté en la posición de encendido (ON).
- El enchufe que se conecta a la red es el dispositivo de desconexión, por lo que deberá permanecer siempre en perfecto estado de uso.
- Deberá llevar cuidado si utiliza auriculares con este producto, ya que una excesiva presión sonora (volumen) procedente de los mismos puede causar pérdidas de audición.

## AVISO

Los productos con construcción de Clase **I** están equipados con un cable de alimentación que tiene conexión de tierra. El cable de estos productos deberá conectarse a una toma de corriente que tenga conexión de protección de tierra.

**EN EE. UU./CANADÁ, UTILICE SOLO ALIMENTACIÓN CON CORRIENTE DE 120 V.**

## PRECAUCIÓN

- No exponga este aparato a salpicaduras ni goteras.
- No coloque objetos que contengan líquidos, como por ejemplo jarrones, sobre el aparato.
- No instale este aparato en lugares cerrados tales como estanterías o similares.
- Este aparato debe situarse lo suficientemente cerca de una toma de electricidad como para poder alcanzar fácilmente el cable de corriente en cualquier momento.
- Si el producto utiliza pilas (esto incluye las pilas instaladas y los "packs" de pilas), se evitará su exposición directa al sol, al fuego o a cualquier otra fuente de calor excesivo.
- **PRECAUCIÓN** con los productos que emplean baterías de litio reemplazables: existe peligro de explosión si la batería se reemplaza por otra de tipo incorrecto. Reemplácela sólo por otra igual o de tipo equivalente.

## Declaración de conformidad del suministrador



Número de modelo: Grandioso T1

Marca comercial: ESOTERIC

Parte responsable: 11 Trading Company, LLC

Dirección: 3502 Woodview Trace #200 Indianapolis, IN 46268 U.S.A.

URL: <https://11tradingcompany.com/contact-us/>

Este dispositivo cumple con el apartado 15 de las Normas de la FCC. Su funcionamiento está sujeto a las dos siguientes condiciones:

- 1) Este dispositivo no puede causar interferencias perjudiciales
- 2) Este dispositivo debe aceptar cualquier interferencia recibida, incluidas interferencias que puedan causar anomalías de funcionamiento.

### Información

Se ha comprobado que este equipo cumple con los límites establecidos para los dispositivos digitales de Clase B, de acuerdo con el apartado 15 de las Normas de la FCC. Estos límites están diseñados para proporcionar una protección razonable contra interferencias perjudiciales en instalaciones residenciales. Este equipo genera, utiliza y puede irradiar energía de radiofrecuencia y, si no se instala y se utiliza de acuerdo con las instrucciones, puede causar interferencias perjudiciales en las comunicaciones por radio. Sin embargo, no se puede garantizar que dichas interferencias no se produzcan en instalaciones particulares. Si este equipo causa interferencias perjudiciales en la recepción de radio o televisión, que se comprueban apagando y encendiendo el equipo, se recomienda al usuario que intente corregirla mediante una o varias de las siguientes medidas:

- Reoriente o recolocque el equipo y/o la antena receptora.
- Aumente la separación entre el equipo y el receptor.
- Conecte el equipo a una toma de electricidad situada en un circuito eléctrico diferente al del receptor.
- Consulte al distribuidor o solicite ayuda a un técnico de radio/TV con experiencia.

### PRECAUCIÓN

Cualquier cambio o modificación efectuada en este equipo que no haya sido expresamente aprobada por la parte responsable del cumplimiento de los requisitos exigidos podría invalidar el derecho del usuario a utilizar el equipo.

## Modelo para Europa



Este producto cumple con las exigencias de las directivas europeas y con los reglamentos de la Comisión Europea.

## Para consumidores europeos

### Deshacerse de aparatos eléctricos, electrónicos, pilas/baterías y acumuladores

- a) Todos los aparatos eléctricos y electrónicos, y pilas/baterías y acumuladores gastados, deben ser eliminados separados del resto de basura común y únicamente en los "puntos limpios" o bajo los procedimientos especificados por el gobierno o autoridades municipales locales.
- b) Con la eliminación correcta de los equipos eléctricos y electrónicos, y de pilas/baterías y acumuladores gastados, estará ayudando a conservar recursos muy valiosos y a evitar los posibles efectos negativos en la salud humana y en el medio ambiente.
- c) La eliminación incorrecta de los equipos eléctricos y electrónicos, y pilas/baterías y acumuladores, puede producir efectos muy dañinos en el medio ambiente y en la salud humana a causa de las sustancias peligrosas que pueden encontrarse en estos equipos.
- d) El símbolo de Eliminación de Aparatos Eléctricos y Electrónicos (WEEE en inglés), identificado por cubos de basura con ruedas tachados, indican que los equipos eléctricos y electrónicos, y las pilas/baterías y acumuladores, deben ser eliminados de forma totalmente independiente con respecto a la basura doméstica. Si una pila/batería o un acumulador contienen más cantidad de los valores especificados de plomo (Pb), mercurio (Hg), y/o cadmio (Cd) según está definido en la Directiva relativa a las pilas (2006/66/CE, 2013/56/UE), entonces los símbolos químicos correspondientes a estos elementos estarán indicados debajo del símbolo WEEE.
- e) Existen sistemas para la eliminación y recogida a disposición del usuario final. Si necesita más información sobre cómo deshacerse de aparatos eléctricos y electrónicos antiguos, así como de pilas/baterías y acumuladores, póngase en contacto con su ayuntamiento, con la correspondiente empresa del servicio de recogida de residuos o con el establecimiento donde adquirió ese aparato.



ESOTERIC is a trademark of TEAC CORPORATION, registered in the U.S. and other countries.

Otros nombres de compañías, de productos y los logos que aparecen en este documento son marcas comerciales o marcas comerciales registradas de sus respectivos propietarios.



# Índice

Gracias por adquirir este producto ESOTERIC.

Lea este manual atentamente para obtener el mejor rendimiento de este producto. Después de leerlo, guárdelo en un lugar seguro, junto con la tarjeta de la garantía, para futuras consultas.

|   |    |
|---|----|
| INSTRUCCIONES IMPORTANTES DE SEGURIDAD .....          | 55 |
| Antes de su utilización .....                         | 58 |
| Precauciones de uso .....                             | 58 |
| Mantenimiento .....                                   | 59 |
| Manejo de los discos .....                            | 59 |
| Conexiones .....                                      | 60 |
| Partes y funciones de la unidad principal .....       | 62 |
| Partes y funciones de la unidad de alimentación ..... | 64 |
| Instalación .....                                     | 65 |
| Funcionamiento básico .....                           | 73 |
| Modo de configuración .....                           | 74 |
| Ajustes de configuración .....                        | 74 |
| Solución de problemas .....                           | 76 |
| Especificaciones .....                                | 78 |
| Dibujos con las dimensiones .....                     | 79 |

## Accesorios incluidos

Compruebe que todos los accesorios enumerados a continuación están incluidos en la caja. Por favor, póngase en contacto con el establecimiento donde adquirió este producto si falta cualquiera de estos accesorios o si alguno ha sufrido desperfectos durante el transporte.

Herramientas de instalación

Bloque espaciador × 1

Medidor de confirmación de altura × 1

Riel de instalación (izdo.) × 1

Riel de instalación (dcho.) × 1

Cubiertas protectoras de la unidad × 2

Alfombrilla del plato giradiscos × 1

Cable de alimentación de corriente continua × 1

Cable de corriente × 1

Almohadillas de fieltro (para la unidad de alimentación) × 4

Asas × 2

Manual del usuario (este documento) × 1

Tarjeta de garantía × 1

Brazo TA-9D × 1\*

Manual del usuario del brazo TA-9D × 1\*

Base del brazo × 1\*

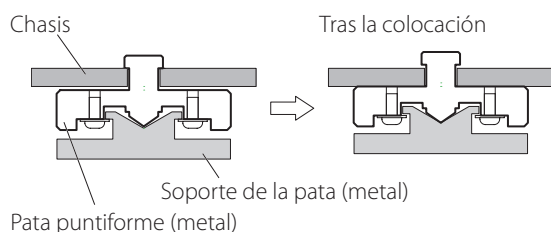
\* No incluido con los modelos sin brazo.

Si compra un modelo sin brazo, necesitará también un kit de base de brazo. Aceptamos pedidos personalizados de kits de base de brazo compatibles con varios tipos de brazo.

## Nota sobre la instalación de la unidad de alimentación

La unidad de alimentación tiene patas puntiformes metálicas de alta precisión que están sujetas a la placa inferior.

Las patas puntiformes y sus soportes están sueltos, pero cuando se coloca esta unidad sobre una superficie, son estas patas puntiformes las que soportan la unidad, dispersando de manera efectiva las vibraciones.



- Coloque las almohadillas de fieltro incluidas en la parte inferior de los soportes de las patas para evitar rayar la superficie sobre la que se sitúe esta unidad.

- Este equipo pesa mucho, por lo que deberá tener cuidado para evitar lesionarse al abrir los embalajes y al moverlo. La unidad base pesa 17 kg, el plato pesa 19 kg, la unidad de motor pesa 9 kg y la unidad de alimentación pesa 18 kg.
- No coloque nada encima de la unidad principal ni de la unidad de alimentación.
- No instale estas unidades donde puedan calentarse. Evite lugares que estén expuestos a la luz solar directa o cercanos a un radiador, calefactor, estufa o cualquier otro aparato de calefacción. Tampoco coloque esta unidad encima de un amplificador u otro equipo que genere calor. Si lo hace, esta unidad podría decolorarse, deformarse o sufrir una avería.
- Sitúe la unidad principal y la unidad de alimentación en ubicaciones estables.
- Para permitir una buena disipación del calor, deje al menos 20 cm (8 pulgadas) entre estas unidades y las paredes u otros componentes del equipo cuando las instale. Si las coloca en un rack, por ejemplo, deje libres al menos 5 cm (2 pulgadas) por encima de las unidades y 10 cm (4 pulgadas) por detrás. Si no deja estos espacios libres, el calor puede acumularse en su interior y provocar fuego.
- El voltaje suministrado a la unidad de alimentación deberá ser el mismo que está impreso en su parte posterior. Si tiene dudas al respecto, consulte a un electricista.
- No abra las carcasas de las unidades porque podría causar daños en los circuitos o una descarga eléctrica. En caso de que se introduzca un objeto extraño en una de las unidades, contacte con su distribuidor.
- Cuando desenchufe el cable de corriente de una toma de electricidad, tire siempre directamente del conector. Nunca tire del cable.

## Mantenimiento

Utilice un paño suave y seco para limpiar las superficies de las unidades.

Para manchas difíciles, use un paño húmedo que haya sido bien escurrido para eliminar el exceso de líquido.

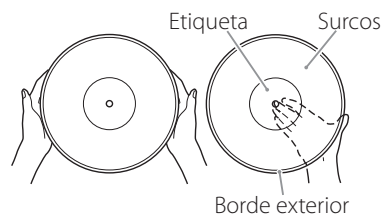
- Nunca pulverice líquido directamente sobre estas unidades.
- No utilice gamuzas ni paños impregnados con productos químicos, ni disolvente u otras sustancias químicas, ya que podrían dañar las superficies de las unidades.
- Evite que materiales de plástico o goma estén en contacto con las unidades durante mucho tiempo, ya que pueden dañar las carcasas.

**⚠ Por seguridad, desenchufe el cable de corriente de la toma de electricidad antes de proceder a la limpieza.**

## Manejo de los discos

### Cómo sujetar los discos

Cuando coja un disco o lo saque de su funda, evite tocar los surcos sujetando el disco por su etiqueta central y por el borde con una mano o sujetándolo por los bordes con ambas manos.



### Limpieza

Las huellas de dedos y el polvo en un disco pueden causar ruido y hacer que el sonido salte, así como producir daños al propio disco y a la aguja. Utilice un limpiador de discos de los que se pueden adquirir en establecimientos comerciales para limpiar los discos. No utilice disolvente ni nada que no sea un limpiador específico para discos. Dichos productos químicos podrían dañar la superficie del disco. Cuando utilice un limpiador de discos, limpie la superficie del disco con movimiento circular, siguiendo los surcos.



### Precauciones de uso

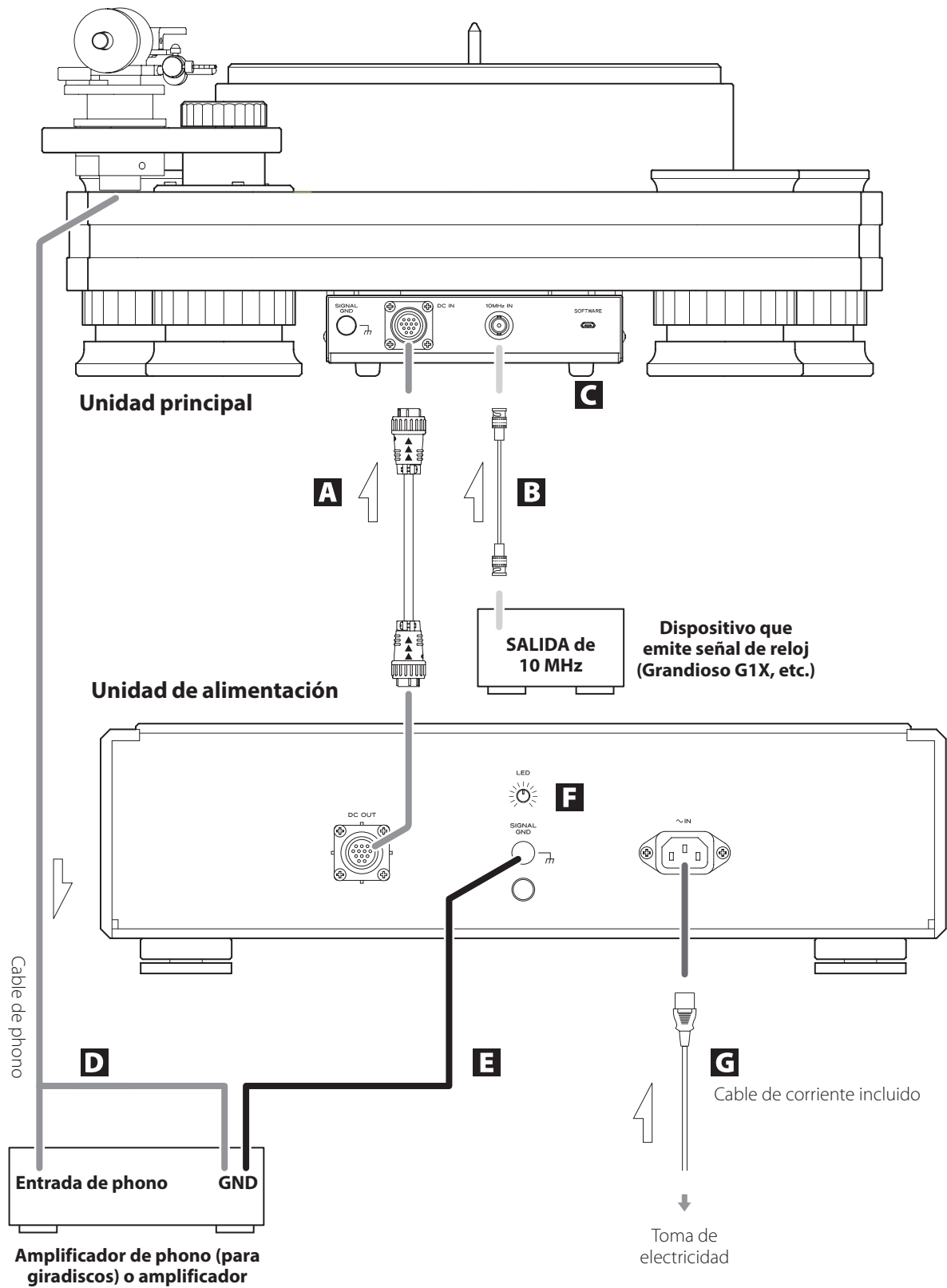
No deje los discos en sitios donde estén expuestos directamente a la luz del sol o que sean muy calurosos o húmedos. Si deja un disco bajo tales condiciones durante mucho tiempo, podría deformarse, crecer moho o sufrir otros daños.

No apile múltiples discos o sitúe objetos pesados sobre ellos. Tampoco deje los discos inclinados en ángulo durante excesivo tiempo. Si lo hace, podrían deformarse o sufrir otros daños.

No permita que objetos duros toquen directamente los surcos de audio. Si esto ocurre, los discos se pueden rayar.

Después de que haya terminado de reproducir un disco, vuelva siempre a guardarlo en su funda. Dejar un disco sin protección puede causar que se deforme o se raye.

No utilice discos que estén rotos.

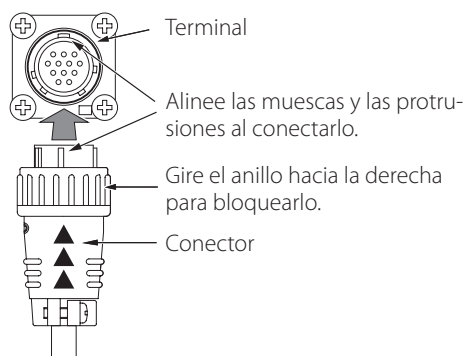


## A Terminales de entrada/salida de corriente continua (DC IN/DC OUT)

Utilice el cable de corriente continua (CC) incluido para conectar el terminal de entrada de corriente continua (DC IN) de la unidad principal con el terminal de salida de corriente continua (DC OUT) de la unidad de alimentación.

DC OUT → DC IN

- El cable de corriente enchufado a la entrada de corriente alterna (CA) siempre debe desenchufarse de la toma de electricidad antes de conectar o desconectar el cable de corriente continua (CC).
- El cable de corriente continua lleva impresas unas flechas. Conéctelo de manera que las flechas apunten en la dirección que se muestra en la ilustración de la página 60. Compruebe la orientación de las muescas, las protuberancias y las flechas del cable de corriente continua y sujételo por el conector. Alinee las marcas del conector con las del terminal e insértelo. Gire el anillo hacia la derecha para bloquearlo. Invierta el procedimiento para desconectarlo. Al conectar o desconectar el cable, no tuerza ni mueva hacia los lados el conector.
- Tenga cuidado de no engancharse los dedos en el anillo al conectar o desconectar el cable de corriente continua.



**⚠ Nunca lo conecte a nada que no sea una unidad principal de un Grandioso T1. Si lo hace, puede ocasionar daños.**

## B Terminal de entrada de reloj 10MHz IN

Este terminal se utiliza para introducir señales de sincronización de reloj de 10 MHz.

Para utilizar sincronización de reloj, conecte el terminal de salida de reloj del dispositivo emisor de señal de reloj al terminal de entrada de reloj 10MHz IN de esta unidad. A continuación, configure el ajuste de reloj externo (CLK>) en "IN" (página 74).

**Utilice un cable coaxial BNC de los disponibles en establecimientos comerciales para la conexión.**

- Se pueden utilizar cables coaxiales BNC con 50 Ω o 75 Ω de impedancia.

## C Puerto de mantenimiento SOFTWARE

Se utiliza para mantenimiento. No conecte nada a este puerto a menos que reciba instrucciones para hacerlo por parte de nuestro servicio técnico.

## D Cable de phono

**Utilice un cable de los disponibles en establecimientos comerciales para la conexión.**

Conecte siempre el conductor de tierra del cable de phono al amplificador de phono. Si no se conecta, podría producirse un zumbido de masa (ruido audible) procedente de la fuente de alimentación.

## E Terminal de tierra SIGNAL GND

La calidad del audio podría mejorarse conectando este terminal de tierra a un amplificador u otro dispositivo que esté conectado al Grandioso T1.

- Este terminal no es una toma de tierra de seguridad eléctrica.

**Si el ruido de los altavoces es notorio**

Si hay un conductor de tierra conectado al terminal de tierra del Grandioso T1, desconectarlo podría reducir el ruido. Utilice el método (conectado/desconectado) que tenga menos ruido.

## F Mando de ajuste de la intensidad del LED

Se utiliza para ajustar la intensidad de iluminación del indicador de alimentación.

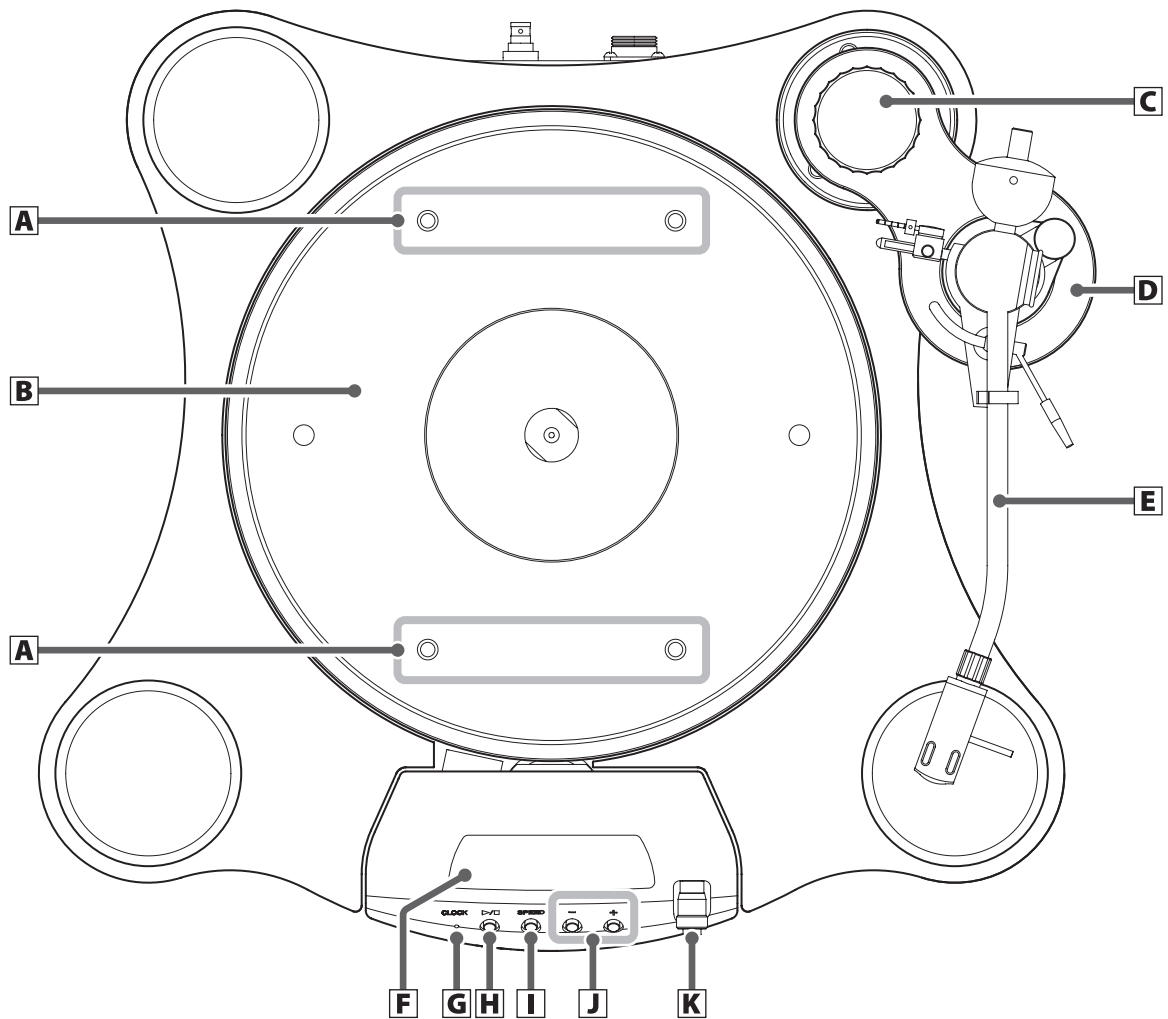
## G Entrada para el cable de corriente alterna (~IN)

Conecte en esta entrada el cable de corriente alterna (CA) incluido. Termine todas las conexiones antes de enchufar el cable de corriente en una toma de electricidad.

**⚠ Utilice exclusivamente un cable de corriente de marca ESOTERIC. El uso de otros cables de corriente puede provocar fuego o descargas eléctricas.**

**⚠ Desenchufe el cable de corriente de la toma de electricidad si no va a utilizar el Grandioso T1 durante un largo periodo de tiempo.**

## Partes y funciones de la unidad principal



**A** Orificios de los tornillos para la fijación de las asas

**B** Plato

**C** Tornillo de muletilla para la fijación de la base del brazo

No está incluido con los modelos sin brazo.

**D** Base del brazo

No está incluida con los modelos sin brazo.

Si compra un modelo sin brazo, necesitará también un kit de base de brazo. Aceptamos pedidos personalizados de kits de base de brazo compatibles con varios tipos de brazo.

**E** Brazo (TA-9D)

Prepare uno para utilizarlo con un modelo sin brazo.

**F** Pantalla

Muestra diversa información.

**G** Indicador CLOCK

Muestra el estado de la sincronización de reloj.

Este indicador parpadea durante la sincronización de reloj y se ilumina cuando se completa la sincronización.

## **H** Botón de reproducción/parada (▶/■)

Este botón comienza y detiene la rotación del brazo.

Púlselo cuando la unidad esté apagada para encenderla.

Púlselo y manténgalo pulsado (unos 5 segundos) cuando la unidad esté encendida para apagarla.

Púlselo cuando esté operando en el modo de configuración para terminar de hacer los ajustes y que la pantalla vuelva a su estado habitual (página 74).

## **I** Botón SPEED

Seleccione aquí la velocidad de giro indicada en el disco que se va a reproducir. Pulse este botón para cambiar entre 33 1/3 y 45 RPM.

Púlselo y manténgalo pulsado para acceder al modo de configuración (página 74).

Utilícelo para cambiar entre apartados de configuración en el modo de configuración.

Púlselo y manténgalo pulsado para terminar de hacer los ajustes.

## **J** Botones (-/+ ) de ajuste de la velocidad de rotación

Utilícelos para ajustar con precisión la velocidad de rotación del plato.

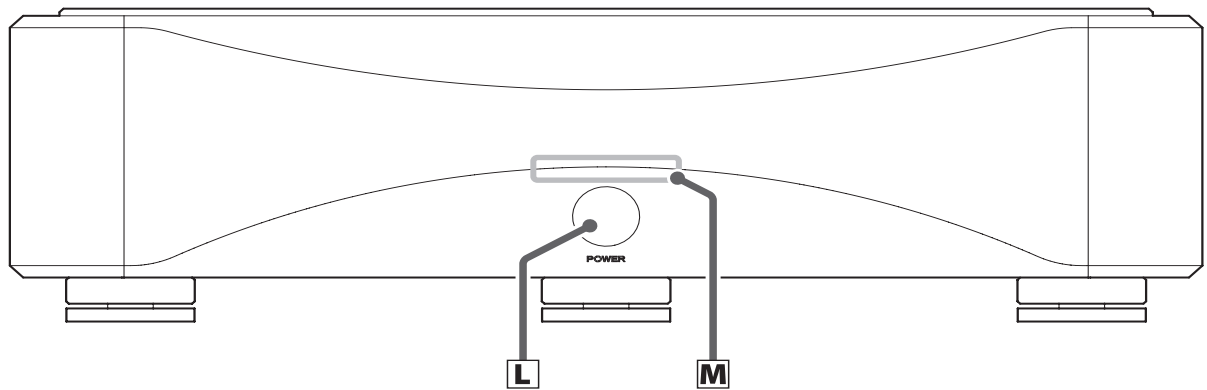
La velocidad se puede ajustar en  $\pm 12\%$  en incrementos de 0,1 %.

Utilícelos para cambiar los valores de configuración en el modo de configuración (página 74).

## **K** Mando de ajuste micrométrico

Utilice este mando para ajustar el espacio entre el motor y el plato.

## Partes y funciones de la unidad de alimentación



### **L** Botón POWER

Púlselo para encender y apagar el Grandioso T1.  
Apáguelo cuando no esté utilizándolo.

### **M** Indicador de alimentación

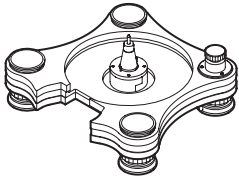
Se ilumina cuando el Grandioso T1 está encendido.



# Instalación

Este producto se suministra en un conjunto de tres paquetes.

## Paquete 1



Unidad base



Base del brazo

- No está incluida con los modelos sin brazo.

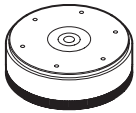


Bloque espaciador



Cubiertas protectoras de la unidad base (preinstaladas en la unidad base)

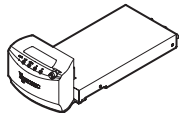
## Paquete 2



Plato



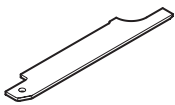
Asas



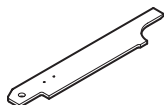
Unidad de motor



Medidor de confirmación de altura (en una caja de accesorios)

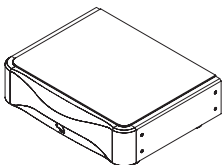


Riel de instalación (izquierdo)



Riel de instalación (derecho)

## Paquete 3



Unidad de alimentación

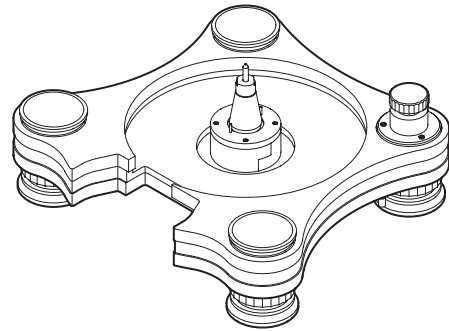


Brazo (TA-9D)\*

\* Los modelos sin brazo no incluyen brazo.

**⚠** La unidad base pesa 17 kg, el plato pesa 19 kg, la unidad de motor pesa 9 kg y la unidad de alimentación pesa 18 kg. Este equipo pesa mucho, por lo que deberá manejarlo junto con otras dos personas por lo menos y tener cuidado para evitar lesionarse al abrir los paquetes y mover los elementos.

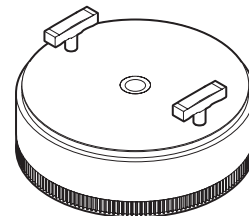
## 1 Instale la unidad base en una superficie plana y nivelada.



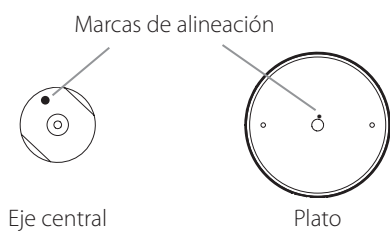
- Tenga en cuenta la capacidad de soportar peso del emplazamiento donde vaya a instalarse.
- Ajuste con precisión la posición de la unidad base en este momento. Los siguientes pasos deben realizarse con la unidad base en una posición fija.

## 2 Fije las asas al plato.

- Después de enroscar completamente las asas sin apretarlas, desénroquelas ligeramente para que queden en una posición que resulte fácil para levantar. No instale las asas apretándolas.
- Tenga cuidado cuando maneje el plato porque es pesado, pesa 19 kg.

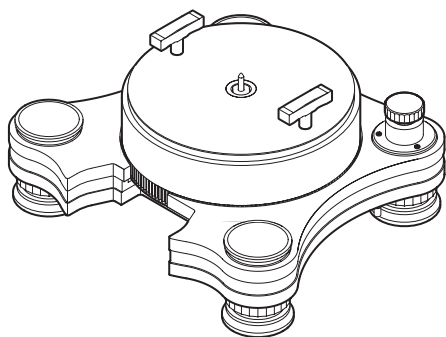


## 3 Fije el plato a la unidad base.

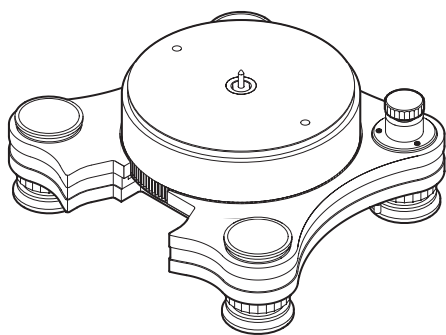


Se han colocado marcas en las posiciones que permiten una precisión ideal para el montaje del eje central y del plato. Ajuste la orientación del plato para que las marcas queden alineadas cuando esté instalado.

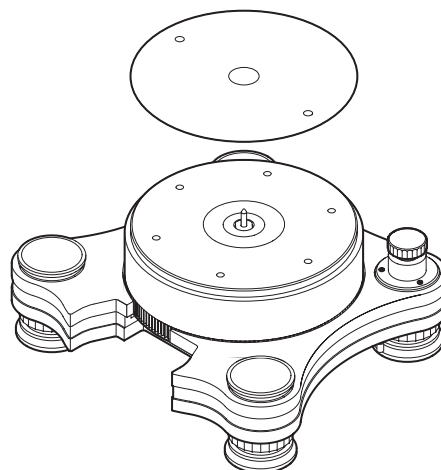
- El eje central no se puede girar antes de instalar el plato.
- Cuando instale el plato, colóquelo lentamente y tenga cuidado de no pillarse los dedos entre el plato y la placa base.



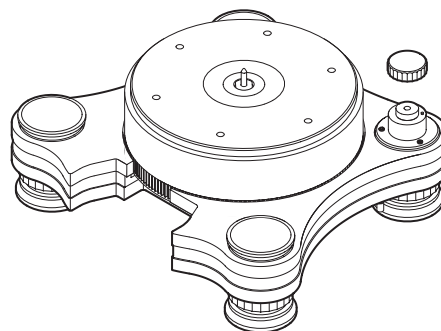
## 4 Quite las asas del plato.



## 5 Quite la lámina protectora del plato.

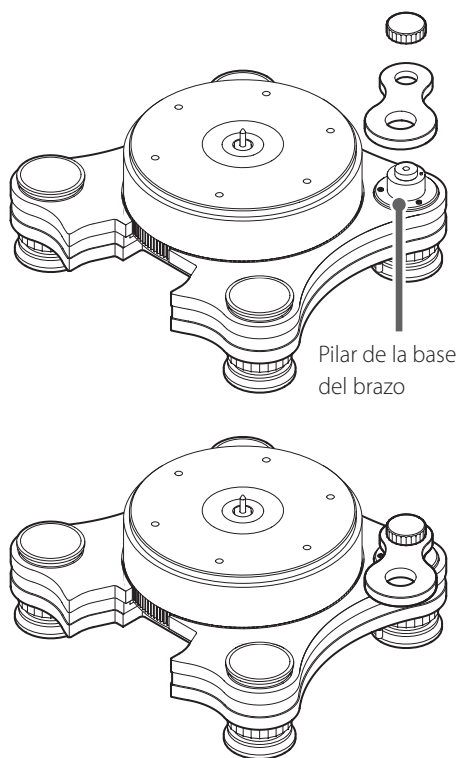


## 6 Quite de la unidad base el tornillo de muletilla para la fijación de la base del brazo.



## 7 Fije la base del brazo a la unidad base.

Alinee una muesca de posicionamiento de la parte inferior de la base del brazo con el pivote situado en el pilar de la base del brazo cuando lo instale.

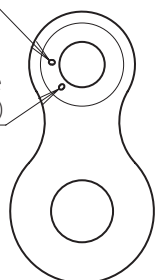


### ATENCIÓN

- Para garantizar una instalación nivelada, asegúrese de instalar el brazo antes de ajustar la altura de la unidad base.
- La base del brazo tiene 2 muescas de posicionamiento. Elija la muesca según la longitud del brazo.

Muesca de posicionamiento de un brazo de 9 pulgadas (22,86 cm)

Muesca de posicionamiento de un brazo de 12 pulgadas (30,48 cm)

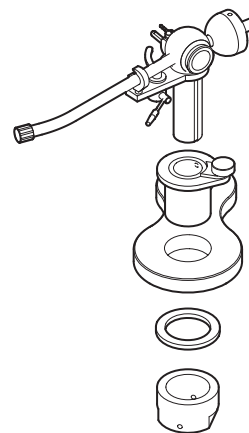


El brazo TA-9D tiene un brazo de 9 pulgadas (22,86 cm).

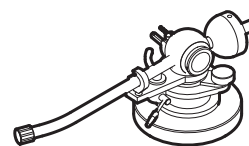
- Cuando están colocadas correctamente, las partes superiores de la base del brazo y del pilar de la base del brazo deben estar casi a la misma altura. Si hay una gran diferencia de altura entre la base del brazo y el pilar de la base del brazo, puede que la muesca de posicionamiento y el pivote no estén alineados. Pruebe a instalar la base del brazo de nuevo.

## 8 Fije el brazo a la base del brazo.

Consulte el manual del usuario incluido con el brazo para su instalación.



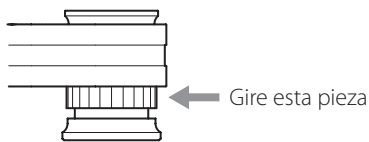
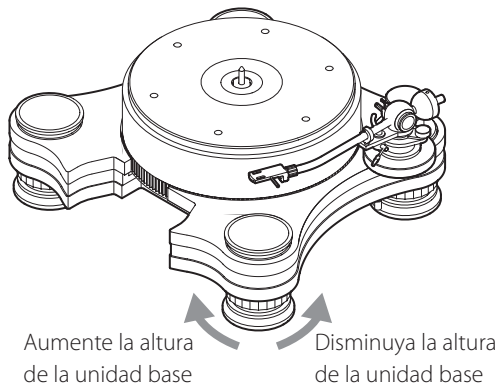
Brazo instalado en la base del brazo.



## 9 Fije el cabezal al brazo.

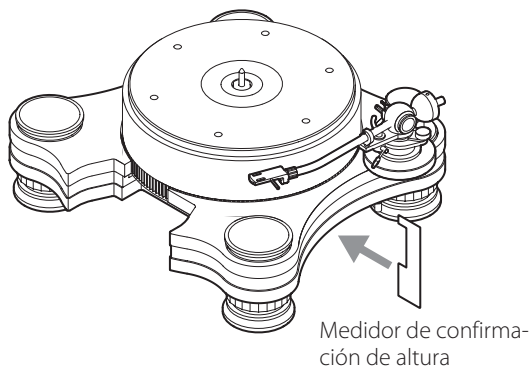
## 10 Ajuste las alturas de las patas de la unidad base de modo que el plato quede nivelado.

Para confirmar que el plato giradiscos está nivelado en su emplazamiento, recomendamos utilizar, por ejemplo, un dispositivo de nivelación de platos giradiscos de los que se pueden adquirir en establecimientos comerciales.



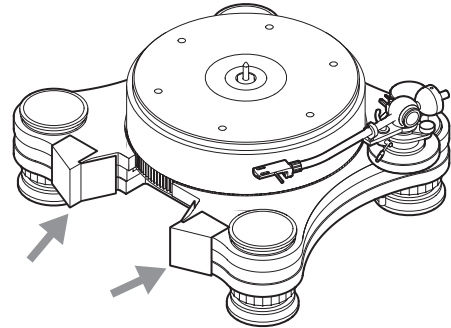
### ATENCIÓN

- Presione hacia abajo en las cuatro esquinas de la unidad base para confirmar que el peso está uniformemente distribuido a las cuatro patas. Si alguna de las patas está inestable, ajuste su altura.
- Para evitar que las patas se bajen demasiado, ajuste la altura dentro de un rango que permita que el medidor de confirmación de altura incluido encaje en los cuatro lados de la unidad base. Esto permitirá situar la unidad de motor debajo de la unidad base en un paso posterior.



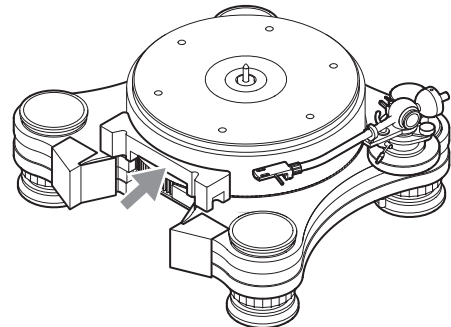
## 11 Confirme que las cubiertas protectoras están colocadas en la unidad base en las posiciones mostradas por las flechas.

Vuelva a fijarlas si se quitaron durante la instalación.



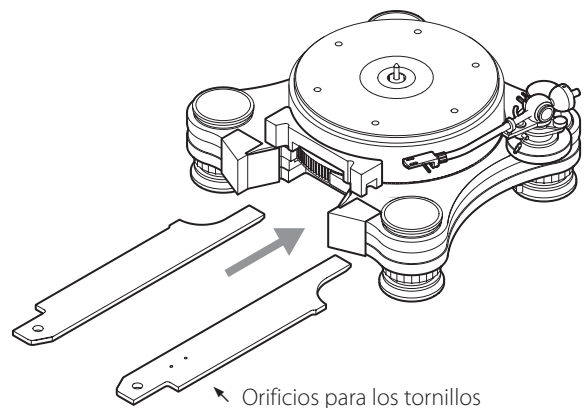
## 12 Coloque el bloque espaciador en la unidad base de modo que toque el plato como se muestra en la ilustración.

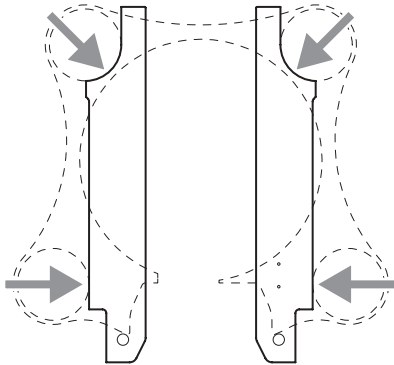
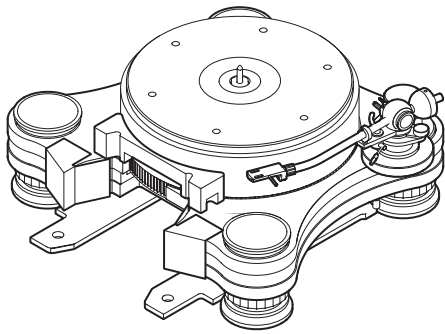
- Fije el bloque espaciador con la orientación arriba-abajo adecuada.



## 13 Coloque los rieles de instalación entre las patas de la unidad base.

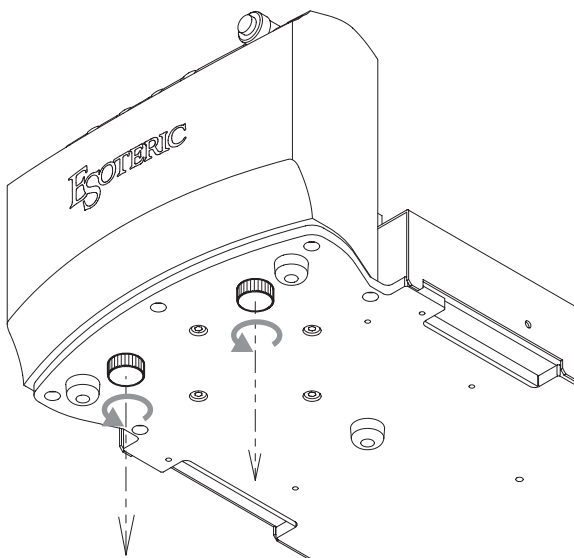
- El riel de instalación que tiene 2 orificios para tornillos es para el lado derecho.





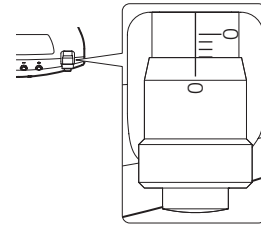
Coloque los rieles de instalación de modo que toquen las patas de la unidad base en los lugares que muestran las flechas. (La unidad base se muestra mediante líneas punteadas en esta explicación).

#### 14 Quite los tornillos de transporte de la parte inferior de la unidad de motor.



- Estos tornillos que ha quitado serán necesarios para el transporte, por lo que deberá guardarlos para que no se pierdan. Una vez completada la instalación, fije los tornillos de transporte en los orificios que hay a tal efecto en el riel de instalación (derecho).

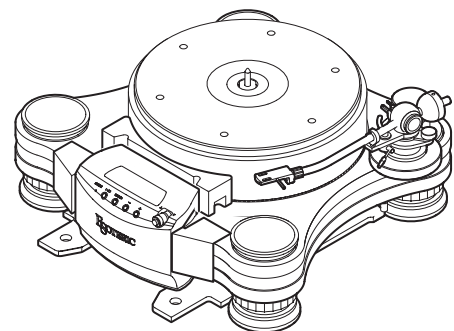
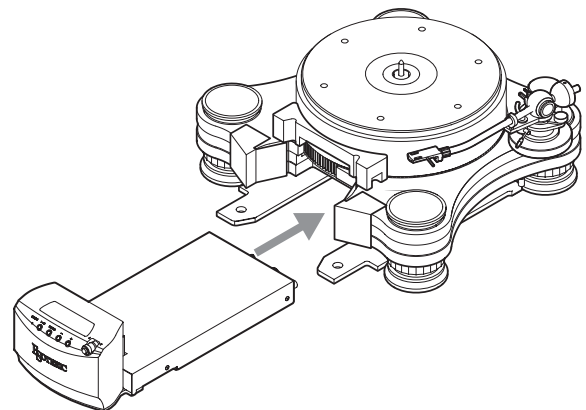
#### 15 Ajuste el valor micrométrico para la unidad de motor en 3.



#### 16 Siguiendo los rieles de instalación, inserte la unidad de motor.

Inserte la unidad de motor hasta que no queden espacios entre ella, el plato y el bloque espaciador.

- Al insertar la unidad de motor, tenga cuidado de no dejar que toque la unidad base.
- Si la unidad de motor y la unidad base se tocan, utilice el medidor de confirmación de altura para ajustar la altura de la unidad base.



- 17** Coloque la unidad de alimentación cerca de la unidad base y conéctela a la unidad de motor con el cable de corriente continua (página 60).

Cuando utilice un generador de reloj, conéctelo al terminal 10MHz IN.

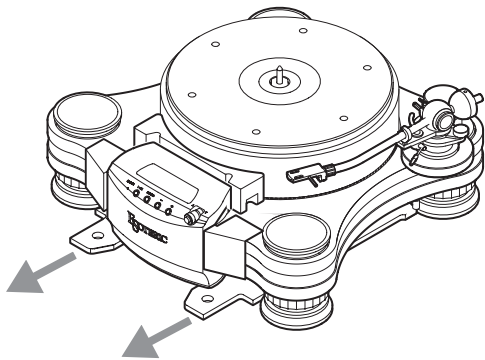
- 18** Utilice un cable de phono (se vende por separado) para conectar el brazo con un amplificador de phono o la entrada de phono de un amplificador.

Utilice un cable de phono de los disponibles en establecimientos comerciales para la conexión.

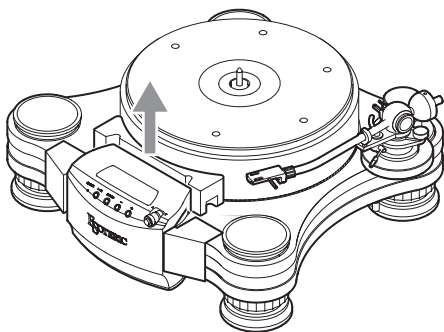
- Igualmente, conecte siempre el conductor de tierra del cable de phono.

- 19** Mientras evita que la unidad de motor se mueva, por ejemplo sujetándola con la mano, extraiga los rieles de instalación.

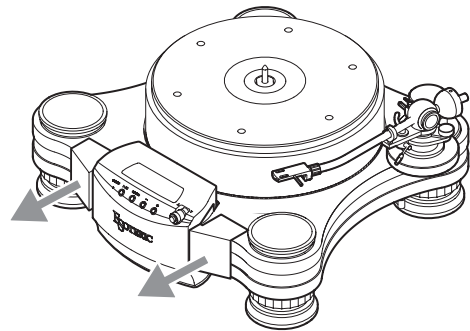
- Si la unidad de motor se mueve al extraer los rieles de instalación, vuelva a poner los rieles en sus posiciones originales. Inserte la unidad de motor hasta que no queden espacios entre ella, el plato y el bloque espaciador. A continuación, extraiga los rieles de instalación.



- 20** Quite el bloque espaciador del plato.



- 21** Quite las cubiertas protectoras colocadas en la unidad base en las posiciones mostradas por las flechas.



- 22** Coloque la alfombrilla del giradiscos en el plato.

- 23** Ajuste el brazo.

- Consulte el manual del usuario del brazo que se esté utilizando y ajústelo.
- Una vez terminadas todas las conexiones, enchufe el cable de corriente en una toma de electricidad.

### ATENCIÓN

Guarde las herramientas utilizadas para la instalación porque las necesitará cuando reubique el equipo.

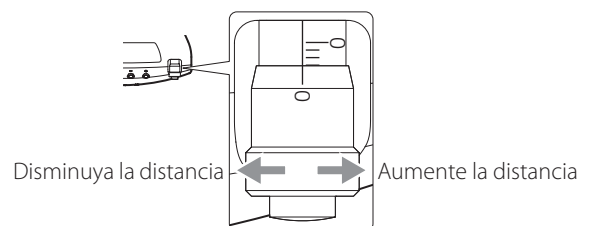
## Ajuste de la distancia entre el plato y el accionador magnético

El ajuste de la distancia entre el plato y el accionador magnético cambiará el sonido cuando se esté reproduciendo un disco.

La posición predeterminada es 3.

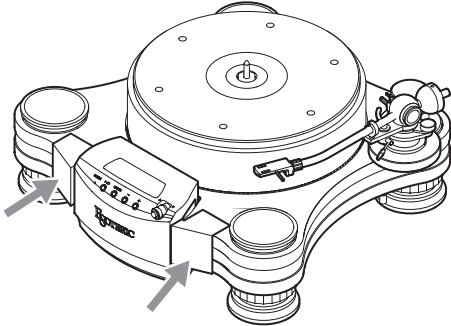
El rango de ajuste es 2-3.

Ajuste el mando de ajuste micrométrico en la posición deseada.

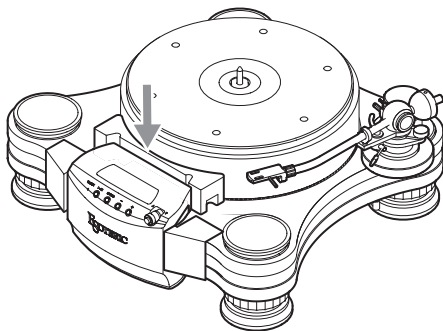


## Retirada de la unidad de motor

- 1** Fije las cubiertas protectoras a la unidad base en las posiciones mostradas por las flechas.

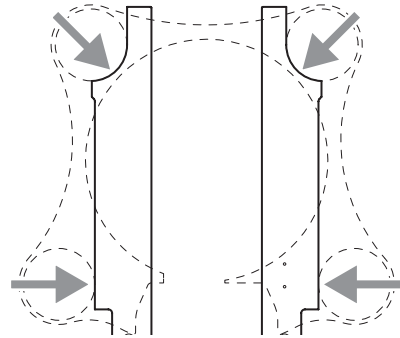
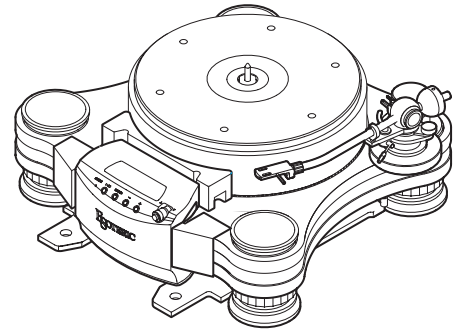
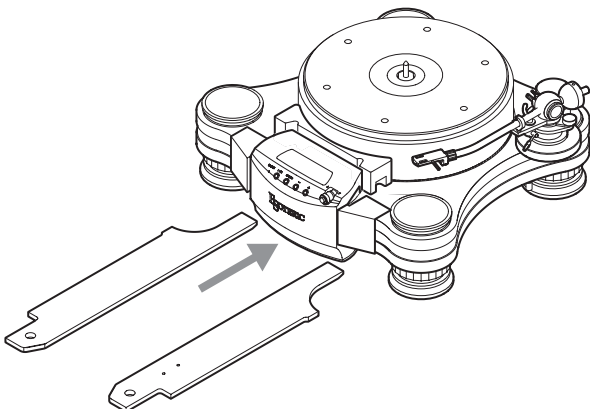


- 2** Coloque el bloque espaciador entre la unidad de motor y el plato como se muestra en la ilustración.



- 3** Coloque los rieles de instalación entre las patas de la unidad base.

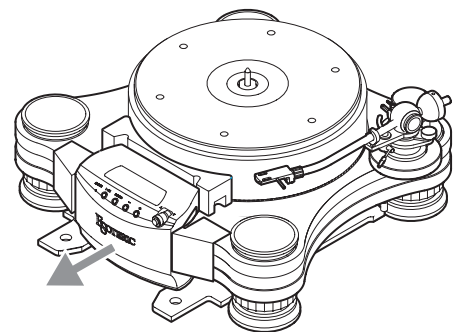
- Quite los tornillos de transporte de los rieles de instalación si se han colocado en ellos.



Coloque los rieles de instalación de modo que toquen las patas de la unidad base en los lugares que muestran las flechas. (La unidad base se muestra mediante líneas punteadas en esta explicación).

- 4** Quite los cables conectados a la unidad de motor y al brazo.

- 5** Extraiga la unidad de motor.

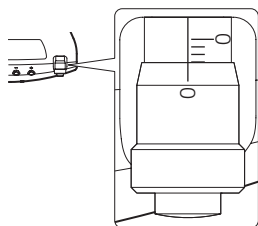


- 6** Extraiga los rieles de instalación, el bloque espaciador y las cubiertas protectoras.

### Restablecimiento de la unidad de motor a su posición predeterminada

Si la unidad de motor se ha movido debido a un terremoto, por ejemplo, siga los procedimientos indicados a continuación para volver a fijarla en su posición.

- 1 Ajuste el valor micrométrico para la unidad de motor en 3.**



- 2 Realice los pasos 1 a 3 de "Retirada de la unidad de motor" en la página 71.**

- 3 Ajuste la posición de la unidad de motor.**

Empuje la unidad de motor hacia dentro hasta que no queden espacios entre ella, el plato y el bloque espaciador.

- 4 Siga los procedimientos de instalación del paso 19 (en la página 70) para retirar las herramientas.**

- 5 Ajuste el valor micrométrico para la unidad de motor como desee.**



## Reproducción de discos

**1 Pulse el botón POWER para encender el Grandioso T1.**

**2 Coloque un disco en el plato.**

Cuando reproduzca un disco con un agujero central grande, utilice el adaptador de discos.

**3 Pulse el botón SPEED para seleccionar la velocidad de rotación indicada en el disco.**

La velocidad de rotación se puede ajustar en 33 1/3 o 45 RPM.

**4 Pulse el botón de reproducción/parada (▶ / ■) para comenzar la rotación del plato.**

Espere hasta que la velocidad de giro se estabilice.

**5 Utilice la palanca del levantador del brazo para elevarlo.**

- También puede desplazar el brazo para situarlo sobre el disco sin elevar el levantador del brazo y después bajarlo lentamente para comenzar la reproducción.

**6 Desplace el brazo hacia la canción donde desee comenzar la reproducción.**

**7 Utilice la palanca del levantador del brazo para bajarlo.**

El brazo bajará lentamente hasta que la aguja toque el disco y comenzará la reproducción.

### ATENCIÓN

- Durante la reproducción no toque ni el brazo ni el disco. Si lo hace, puede dañar la punta de la aguja o rayar el disco.
- No detenga el giro del plato a la fuerza durante la reproducción. Puesto que este no es un plato giradiscos de tipo "direct drive" (tracción directa) diseñado para "DJs", cualquier maniobra de este tipo puede causar una avería.

Durante la reproducción de un disco, puede producirse retroalimentación (pitidos conocidos también como "acoples") si el volumen es demasiado alto. Si esto ocurre, baje el volumen del amplificador.

## Cuando termine la reproducción

**1 Utilice la palanca del levantador del brazo para elevarlo.**

**2 Retorne el brazo a su posición original.**

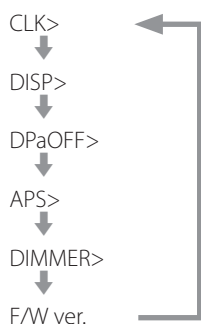
**3 Utilice la palanca del levantador del brazo para bajarlo.**

**4 Pulse el botón de reproducción/parada (▶ / ■) para detener la rotación del plato.**

## Cambiar los ajustes

**1** Pulse y mantenga pulsado el botón **SPEED**.

**2** Pulse el botón **SPEED** repetidamente para seleccionar el apartado de configuración que desee cambiar.



**3** Pulse los botones **(-/+)** de ajuste de la velocidad de rotación para cambiar el valor de los ajustes.

**4** Pulse el botón de reproducción/parada **(▶ / ■)** para terminar de hacer los ajustes.

El modo de configuración también finalizará y se reanudará la visualización normal si no se hace nada durante diez segundos o más.

- Los ajustes se conservan aunque se desconecte el cable de corriente.

## Ajuste de reloj

### CLK>\*\*\*

Se utiliza para establecer la sincronización con un reloj externo.

- El ajuste predeterminado es OFF.

### OFF

No se utiliza sincronización de reloj.

### IN

En este modo, esta unidad se sincroniza con la señal de reloj de 10 MHz introducida a través de su terminal de entrada de reloj 10MHz IN procedente de un generador de reloj.

El indicador CLOCK se ilumina. El indicador CLOCK parpadea durante el proceso de sincronización o si la sincronización no es posible.

- La frecuencia de reloj que puede introducirse es 10 MHz.
- Cuando se esté reproduciendo un disco, no detenga la señal de reloj apagando la alimentación del generador de reloj o desconectando el cable coaxial BNC que esté suministrando la señal de reloj de 10 MHz.

### NOTA

Cuando la configuración sea CLK>IN y esta unidad esté sincronizada con reloj de 10 MHz, en la pantalla se mostrará "CLK 10M".

## Ajuste de pantalla

### DISP>\*\*\*

Se utiliza para cambiar la apariencia de la pantalla.

- El ajuste predeterminado es NORM.

### NORM

Muestra cuándo está reproduciendo/está detenido y las revoluciones por minuto (RPM).

### RPM

Solo muestra las revoluciones por minuto (RPM).

### AUTO

Muestra cuándo está reproduciendo/está detenido y las revoluciones por minuto (RPM). Cuando la rotación sea estable, la pantalla se apagará.

## Ajuste de oscurecimiento automático de la pantalla

### DPaOFF>\*\*\*

Utilice este ajuste para que la pantalla se oscurezca automáticamente.

- El ajuste predeterminado es ON.
- Si la pantalla OEL se deja encendida con la misma indicación durante mucho tiempo, pueden ocurrir irregularidades en el brillo. Por esta razón le recomendamos que ajuste la función de oscurecimiento automático de la pantalla en ON.

### ON

Si no se lleva a cabo ninguna operación durante diez minutos, la pantalla se apagará automáticamente.

### OFF

La pantalla no se apagará automáticamente.

- Si no se realiza ninguna operación durante diez minutos, la pantalla se atenuará a intensidad DIMMER>1 para protegerla de un excesivo desgaste.

## Ajuste de la función de ahorro de energía automático.

### APS>\*\*\*

La unidad se apagará automáticamente si el plato no ha girado durante la cantidad de tiempo establecida.

- El ajuste predeterminado es OFF.

### OFF

La función de ahorro de energía automático está desactivada.

### 30m

30 minutos

### 60m

60 minutos

### 90m

90 minutos

### 120m

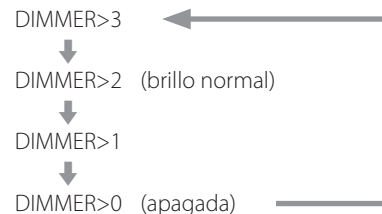
120 minutos

## Ajuste del atenuador de pantalla

### DIMMER>\*\*\*

Utilice el botón DIMMER para ajustar la intensidad de iluminación de la pantalla de la unidad principal.

- El ajuste predeterminado es 2.



- Incluso aunque el ajuste sea DIMMER>1 o DIMMER>0, los ajustes de configuración y los mensajes de error se mostrarán con el brillo normal (DIMMER>2).

## Visualización de las versiones de firmware

### F/W ver.

Pulse el botón (+) de ajuste de la velocidad de rotación cuando se muestre "F/W ver." para comprobar las versiones de firmware.

### I/F \*\*\*\*

Firmware de interfaz

### MTR \*\*\*\*

Firmware del accionador del motor

Si tiene un problema con este producto, por favor dedique un momento a revisar la información que le proporcionamos a continuación antes de solicitar servicio técnico. Es más, el problema podría estar causado por algún motivo ajeno a este producto. Por favor, compruebe también el funcionamiento de las unidades conectadas. Si aun así este producto no funciona correctamente, póngase en contacto con el distribuidor donde lo compró.

## General

### El Grandioso T1 no se enciende.

- ➔ Compruebe que el cable de corriente está bien conectado, tanto a la entrada de corriente de la parte posterior de la unidad de alimentación como a la toma de electricidad.
- ➔ Compruebe que llega corriente a la toma de electricidad donde está enchufado el cable de corriente, por ejemplo conectando otro aparato. Compruebe que el cable de corriente continua (CC) entre las unidades principal y de alimentación está correctamente conectado.

### El Grandioso T1 se apaga automáticamente.

- ➔ Esto sucede porque la función de ahorro de energía automático ha apagado el Grandioso T1. Pulse el botón POWER para encenderlo. Cambie el ajuste de la función de ahorro de energía automático si es necesario.

### La unidad principal no responde cuando se pulsan los botones.

- ➔ Múltiples pulsaciones de botones sin parar pueden hacer que la unidad principal no responda. Después de pulsar un botón, espere un momento hasta que la unidad principal responda.

### Hay ruido.

- ➔ Aleje las unidades lo más posible de televisores y otros aparatos con fuerte magnetismo.

## Sincronización de reloj

### El indicador CLOCK no deja de parpadear.

- ➔ Ajuste (CLK>) en OFF cuando no utilice sincronización de reloj.
- ➔ Puede estar entrando una señal de reloj con la que la unidad principal no puede sincronizarse. Compruebe la conexión del terminal de reloj y los ajustes de configuración de los dispositivos conectados. El Grandioso T1 solo admite reloj de 10 MHz.

## Reproducción de discos

### El brazo no baja aunque la palanca del levantador del brazo esté bajada.

- ➔ Equilibre el brazo y vuelva a ajustar la fuerza de apoyo.

### El tono (afinación) de reproducción es incorrecto.

- ➔ Seleccione la velocidad de rotación indicada en el disco.

### La reproducción no es posible; hay ruido.

- ➔ Vuelva a conectar el cable de phono.
- ➔ Las huellas dactilares y el polvo sobre un disco pueden causar ruido y hacer que el sonido salte. Utilice un limpiador de discos de los que se pueden adquirir en establecimientos comerciales para limpiar los discos.
- ➔ Limpie la aguja.
- ➔ Si la aguja está gastada, cámbiela.
- ➔ Coloque las unidades lo más lejos posible de televisores, hornos microondas y otros dispositivos que emitan ondas electromagnéticas.
- ➔ Enchufe el cable de corriente en una toma de electricidad diferente.

### Hay ruido cuando se está reproduciendo un disco.

- ➔ Cuando la fuerza de apoyo es superior al valor especificado para la cápsula, puede producirse ruido. Vuelva a ajustar la fuerza de apoyo para que sea del valor especificado.

### El sonido salta.

- ➔ Las vibraciones pueden causar saltos. Coloque las unidades en lugares estables.
- ➔ Limpie el disco.
- ➔ No utilice discos rayados.
- ➔ Equilibre el brazo y vuelva a ajustar la fuerza de apoyo. La aguja y el sonido pueden saltar si la fuerza de apoyo es inferior al valor especificado para la cápsula.
- ➔ Si la aguja está doblada, cámbiela.

### La unidad base o la unidad de motor se han desplazado a causa de un terremoto o de otro impacto, por ejemplo.

- ➔ Siga los procedimientos de "Restablecimiento de la unidad de motor a su posición predeterminada" en la página 72 para volver a ajustar la posición.

**Dado que el Grandioso T1 utiliza un microcontrolador, ruidos externos y otras interferencias pueden hacer que funcione mal. Si esto ocurre, apague el producto y vuelva a reiniciarlo después de esperar aproximadamente un minuto.**

## Lista de mensajes de error

### CLOCK!

La unidad no puede sincronizarse con una señal de reloj.

- ➔ Consulte "Sincronización de reloj" en la página 76.

### MOTOR ERR!

El accionador del motor ha detectado un problema y ha detenido el motor.

- ➔ Pulse el botón de reproducción/parada (▶/■) para reiniciar el plato.
- ➔ Si esto se produce frecuentemente, póngase en contacto con el establecimiento donde compró la unidad.

### OverCRNT!

El accionador del motor ha detectado excesiva corriente y ha obligado al motor a detenerse.

- ➔ Pulse el botón de reproducción/parada (▶/■) para reiniciar el plato.
- ➔ Si esto se produce frecuentemente, póngase en contacto con el establecimiento donde compró la unidad.

### PLAT ERR!

El plato no está girando.

El motor se ha parado por esta razón.

- ➔ Pulse el botón de reproducción/parada (▶/■) para reiniciar el plato.
- ➔ Si esto se produce frecuentemente, siga los procedimientos de "Instalación" en la página 65 para reinstalar el producto.

### START ERR!

Se ha producido un error de arranque. El plato está tardando mucho en alcanzar la velocidad de RPM.

- ➔ El mensaje desaparecerá cuando el plato alcance la velocidad de RPM seleccionada.
- ➔ Si esto se produce frecuentemente, siga los procedimientos de "Instalación" en la página 65 para reinstalar el producto.

### ADJ ERR!

El plato no está girando a la velocidad de RPM seleccionada.

- ➔ El mensaje desaparecerá cuando el plato alcance la velocidad de RPM seleccionada.
- ➔ Si esto se produce frecuentemente, siga los procedimientos de "Instalación" en la página 65 para reinstalar el producto.

## Restablecer los ajustes de fábrica

Los ajustes se conservan aunque se desconecte el cable de corriente.

Siga este procedimiento para restablecer los ajustes predeterminados de fábrica y borrar todos los cambios de la memoria.

### 1 Apague el Grandioso T1.

Si la alimentación está encendida, pulse el botón POWER de la unidad de alimentación para apagarla y espere algo más de 30 segundos.

### 2 Pulse el botón POWER mientras mantiene pulsado el botón SPEED.

Cuando en la pantalla aparezca "Setup CLR" (ajustes borrados), deje de pulsar el botón SPEED.

### Nota sobre la condensación

Si traslada este producto de un entorno frío al aire libre a un entorno cálido en un interior, o si se acaba de encender la calefacción en la habitación donde está situado, por ejemplo, puede producirse condensación en alguna de las piezas funcionales, dando como resultado un funcionamiento incorrecto. Si esto ocurre, deje el producto encendido y espere una o dos horas. Así debería restablecerse la reproducción con normalidad.

## Plato giradiscos

|  |                                    |
|--|------------------------------------|
| Velocidad de rotación .....                        | 33 1/3 rpm, 45 rpm                 |
| Margen de ajuste de la velocidad de rotación ..... | ±12 %<br>(en incrementos de 0,1 %) |
| Lloro y centelleo .....                            | 0,06 % o menos (W.R.M.S)           |

## Entrada de reloj

|   |                                   |
|---|-----------------------------------|
| BNC .....   | 1                                 |
| Impedancia de entrada .....                         | 50 Ω                              |
| Frecuencias que pueden introducirse (±10 ppm) ..... | 10 MHz                            |
| Nivel de entrada .....                              | de 0,5 a 1,0 Vrms (onda senoidal) |

## Unidad base

|  |    |
|--|----|
| Pilar de la base del brazo .....         | 1* |
| (No incluido con los modelos sin brazo.) |    |

\* Se pueden montar hasta 3 brazos en este producto.

Para instalar un brazo adicional, necesitará también un kit de base de brazo.

Aceptamos pedidos personalizados de kits de base de brazo compatibles con varios tipos de brazo.

## General

### Alimentación

|                                  |                 |
|----------------------------------|-----------------|
| Modelo para Europa .....         | CA 230 V, 50 Hz |
| Modelo para EE. UU./Canadá ..... | CA 120 V, 60 Hz |

|   |                                  |
|---|----------------------------------|
| Consumo de energía .....                      | 9 W                              |
| En reposo (standby) .....                     | 0,5 W o menos                    |
| Margen de temperatura de funcionamiento ..... | de +5 °C a +35 °C                |
| Humedad de funcionamiento .....               | de 5 % a 85 % (sin condensación) |
| Margen de temperatura de almacenamiento ..... | de -20 °C a +55 °C               |

## Unidad base

|   |                    |
|---|--------------------|
| Dimensiones externas (ancho × alto × profundo, salientes incluidos) | 497 × 215 × 436 mm |
| Peso .....  | 17 kg              |

## Plato

|  |                 |
|--|-----------------|
| Dimensiones externas (diámetro × altura) ..... | Ø315,4 × 103 mm |
| Peso .....                                     | 19 kg           |

## Unidad de motor

|   |                    |
|---|--------------------|
| Dimensiones externas (ancho × alto × profundo, salientes incluidos) | 180 × 137 × 450 mm |
| Peso .....  | 9 kg               |

## Unidad de alimentación

|   |                    |
|---|--------------------|
| Dimensiones externas (ancho × alto × profundo, salientes incluidos) | 445 × 162 × 447 mm |
| Peso .....  | 18 kg              |

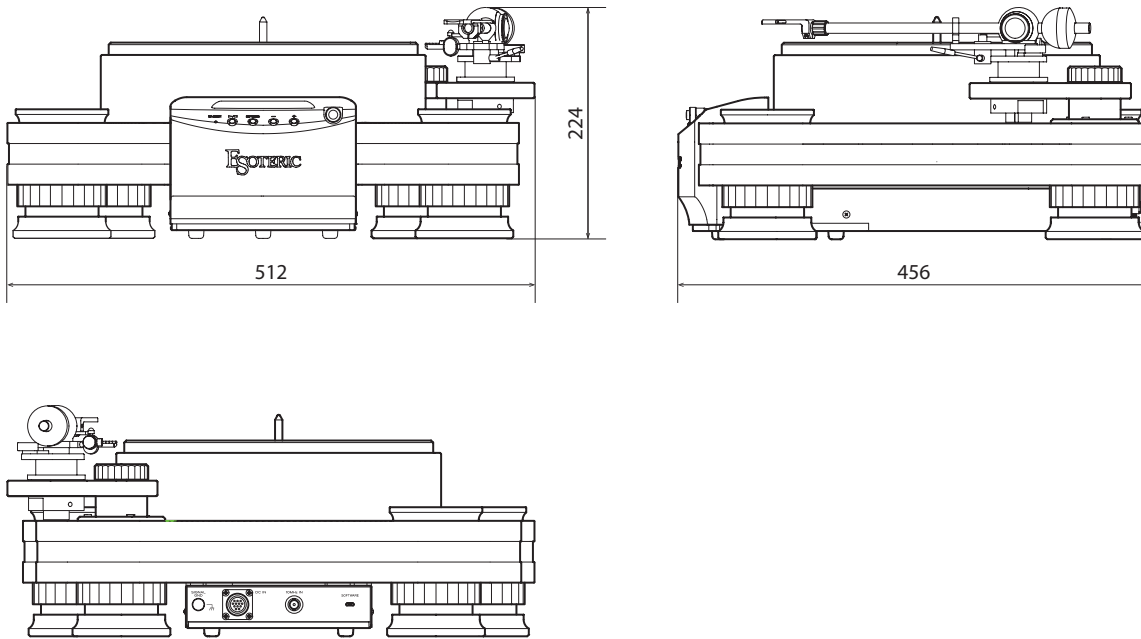
## Accesorios incluidos

|  |  |
|--|--|
| Herramientas de instalación                                  |  |
| Bloque espaciador × 1  |  |
| Medidor de confirmación de altura × 1                        |  |
| Riel de instalación (izdo.) × 1                              |  |
| Riel de instalación (dcho.) × 1                              |  |
| Cubiertas protectoras de la unidad × 2                       |  |
| Alfombrilla del plato giradiscos × 1                         |  |
| Cable de alimentación de corriente continua × 1              |  |
| Cable de corriente × 1                                       |  |
| Almohadillas de fieltro (para la unidad de alimentación) × 4 |  |
| Asas × 2   |  |
| Manual del usuario (este documento) × 1                      |  |
| Tarjeta de garantía × 1                                      |  |
| Brazo TA-9D × 1*   |  |
| Manual del usuario del brazo TA-9D × 1*                      |  |
| Base del brazo × 1*  |  |

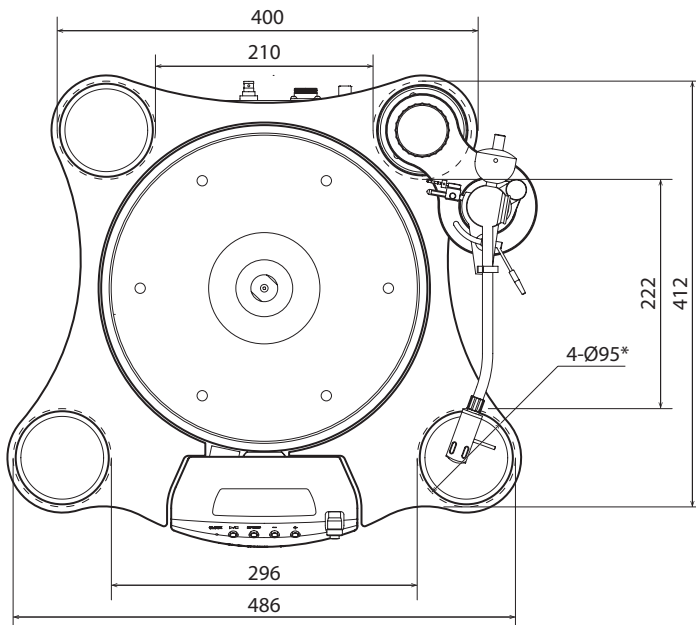
\* No incluido con los modelos sin brazo.

- Las especificaciones y el diseño están sujetos a cambios sin previo aviso.
- El peso y las dimensiones son aproximados.
- Las ilustraciones de este manual pueden diferir ligeramente de los modelos de producción.

## Unidad principal

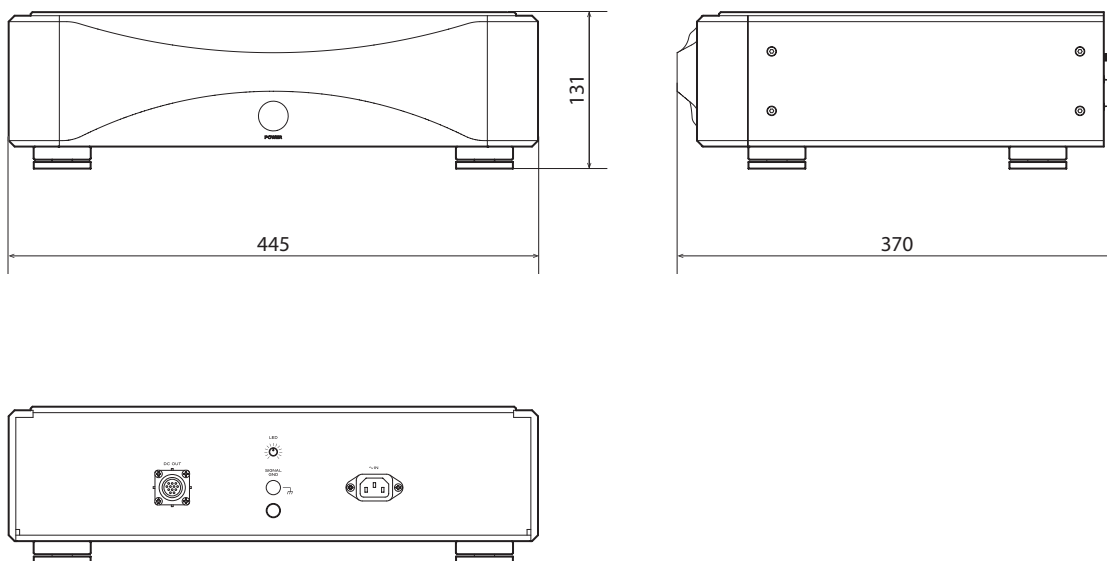


## Diagrama de colocación de las patas

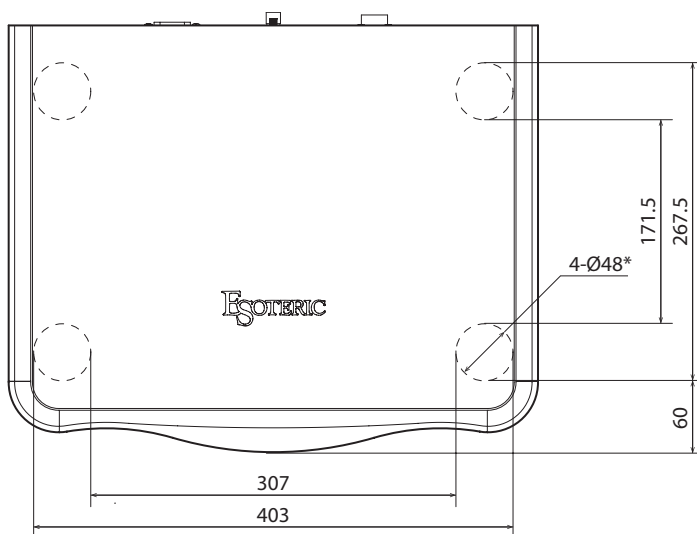


Dimensiones en milímetros (mm)  
\* 4 patas de 95 mm de diámetro

## Unidad de alimentación



## Diagrama de colocación de las patas



Dimensiones en milímetros (mm)  
\* 4 patas de 48 mm de diámetro









# ESOTERIC

---

ESOTERIC COMPANY

1-47 Ochiai, Tama-shi, Tokyo 206-8530, Japan

Phone: +81-42-356-9156

---

This product has a serial number located on the rear panel. Please write it here and retain this for your records.

Model name: Grandioso T1

Serial number \_\_\_\_\_

1022-MA-3565A