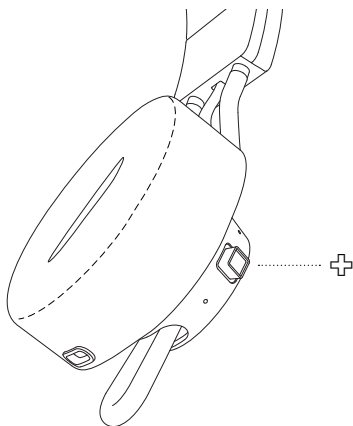


USER MANUAL



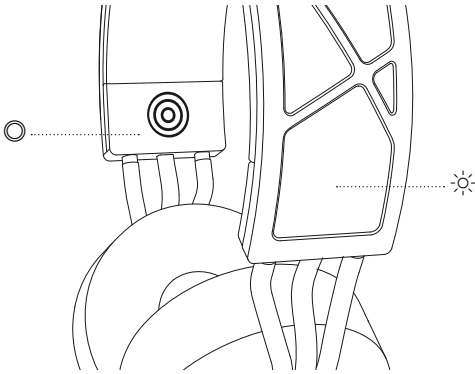
## GETTING STARTED

1. Start with your headphones off.
2. Press and hold the control jog until the LED turns to a slow blue pulse.
3. Select *adidas RPT-02 SOL* from your sound device's Bluetooth® list.

## + MULTI DIRECTIONAL CONTROL JOG

Use the control jog to turn the headphones on or off, control media, volume, and more.

- Quick press to play or pause audio or receive/end a call
- Double press to reject a call
- Push up or down to change volume
- Push left or right for previous or next track
- Press for 2 seconds to turn on or off
- With your headphones turned off, press for 4 seconds for Bluetooth pairing



## ☀️ POWERFOYLE & LIGHT INDICATOR

Your RPT-02 SOL is powered by light, and more light equals more power. Press the action button and the light indicator shows how much light the headphone receives.

Avoid charging the headphones unattended for long durations in high temperatures as product life and charging capability will be affected in 45 °C/113 °F and above.

### LIGHT CONDITIONS

#### ☀️ BEST CHARGING

It's great to be outdoors, and that's also where you'll get the most light and most power from Powerfoyle.

#### ☁️ GOOD CHARGING

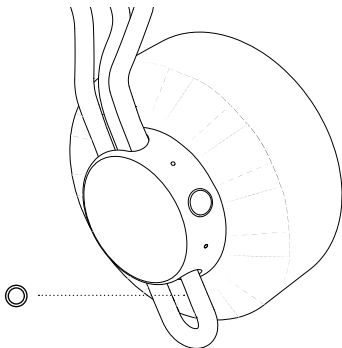
Don't let your eyes fool you, there is a lot more light for Powerfoyle to harvest into power on a cloudy day than you would imagine.

#### 🏠 SOME CHARGING

You can still get some charge from the lamps inside your home, so remember to avoid putting your headphones in a drawer when not in use.

#### 🌑 NO CHARGING

No light, no charge, but don't worry about this. Remember that you can charge via USB in case of long periods of no light charge.

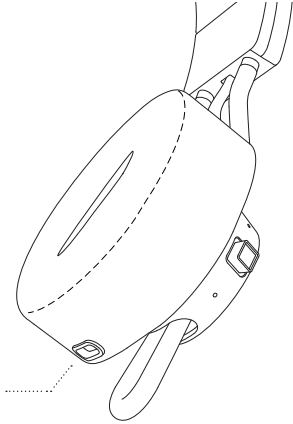


#### 🕒 CUSTOMIZABLE ACTION BUTTON

Press and hold the action button to see the light conditions on the light indicator.

Go to the adidas headphones app to set personal actions that can be recalled by double or triple pressing the action button.

For Spotify actions, a Spotify premium account is required, and this app needs to be running.



### **USB-C PORT FOR CHARGING**

If there is not enough light to charge your headphones, you can always charge them via USB. Connect your headphones to a USB power source with a USB-C cable (not included). Once the LED turns green the headphones are fully charged.

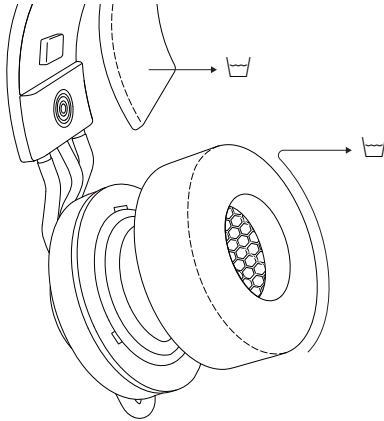
### **BATTERY CARE GUIDE**

Your headphones come equipped with a high performance lithium-ion battery and the life span is affected by charging and usage. Follow the guidelines below to keep your battery in great condition for as long possible.

- Avoid using fast chargers if possible. Fast charging causes stress on the battery and will degrade it.
- Avoid charging the battery when it is already full or letting it drain completely. Try keeping the charge between 30% and 80%.
- If the headphones are stored for a long time, do so with a half-charged battery and in a cool, dark, and dry place.
- Do not leave or charge the headphones in hot and unventilated places, 45 °C/113 °F and above, such as in a parked car or by a window in direct sunlight.
- Avoid charging the battery at low temperatures, below 10 °C/50 °F and using the headphones below 0 °C/32 °F.
- Avoid strong mechanical shocks such as dropping the headphones on hard surfaces as it might harm the battery.

### **LED INDICATOR**

- The LED shows the battery charge while charging, from red through yellow to green (0-100%). It pulses blue while in Bluetooth pairing mode and is white when the headphones are turned on and connected.



 **MACHINE WASHABLE EAR CUSHIONS AND HEADBAND**

Clean your headphones to keep them fresh and make them last longer. The headband and the ear cushions can be removed, and machine washed separately.

**WASHING THE EAR CUSHIONS**

Remove the ear cushions by turning them slightly counterclockwise, and then gently pulling them from the headphones.

To reattach the ear cushions, roll back the fabric, position the ear cushions on the headphones and turn it clockwise until it locks in place.

Note! Make sure that the hole on the right ear cushions is aligned with the USB-C connector on the headphones.

**WASHING THE HEADBAND**

Carefully pull the inner fabric headband to remove it.

To reattach the inner headband, simply align it and then snap it in place at the ends.

**WASHING THE HEADPHONES**

Unplug the any cable before cleaning the headphones. Make sure everything is completely dry before plugging in a USB charger.

Use a soft, slightly damp lint-free cloth and mild soap and avoid getting moist in any openings. Carefully clean sensitive areas such as speaker mesh and openings with a dry brush or cotton swab.

- Do not use any sharp objects
- Do not use compressed air
- Do not use cleaning detergents or wet wipes as they may contain strong chemicals, alcohol, or bleach that can affect the surface or performance



## PAIRING A NEW DEVICE

adidas RPT-02 SOL remembers up to 6 previously paired devices and will try to reconnect with the last connected device.

1. Start with your headphones off.
2. Press and hold the control jog for 4 seconds until the LED turns to a slow blue pulse.
3. Select *adidas RPT-02 SOL* from your sound device's Bluetooth list.

## RESETTING THE HEADPHONES

If your headphones are behaving erratically, non-responsive or you want to remove all user settings, perform a factory reset.

Note: This will delete all user settings and the headphones will need to be set up again.

1. Press and hold both the action button, and the control jog for 10 seconds until the LED turns purple.
2. Remove *adidas RPT-02 SOL* from your sound device's Bluetooth list before pairing again.

## RECYCLING YOUR HEADPHONES

When your headphones have reached their end of life, you need to recycle them in a safe way.

Cover the Powerfoyle with duct tape or any other non-transparent tape before recycling to ensure that no light is charging the battery.

Note: Please consider donating your headphones to someone who will appreciate them rather than recycling them. Follow the *Resetting the headphones* instruction to delete all your personal settings before donating them.

© All rights reserved. adidas, the Badge of Sport and the 3-Stripes mark are registered trademarks of adidas used by Zound Industries International AB under license from adidas AG. © Tous droits réservés. adidas, le "Badge of Sport" et le logo de marque à 3 bandes sont des marques déposées par adidas et utilisées par Zound Industries International AB sous licence d'utilisation accordée par adidas AG. Design of the device is intellectual property of Zound Industries International AB. The Bluetooth® wordmark and logos are registered trademarks owned by the Bluetooth SIG, Inc. and any use of such marks by Zound Industries is under license. The Powerfoyle™ wordmark and logo are registered trademarks of Exeger Operations AB. R1.0